

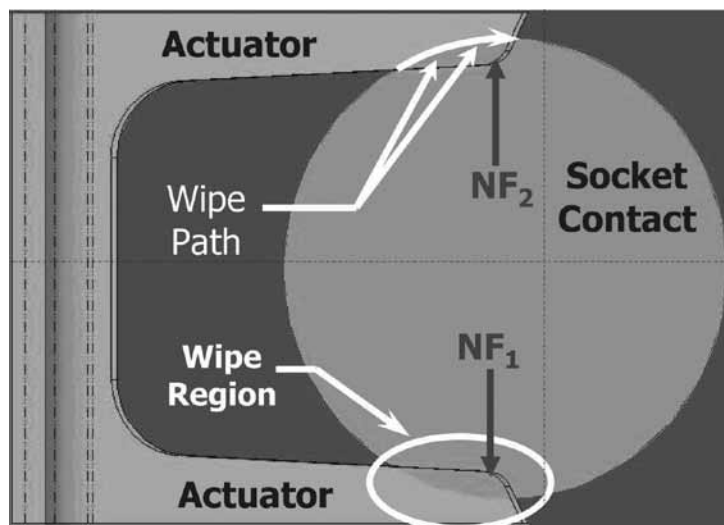
PATCHING PRODUCTS

HIGH FREQUENCY VIDEO PATCHING

Trompeter's new HDVDP and HDVDPM Patch Jacks are designed and engineered to exceed SMPTE 292M specifications for high definition video transmission and connectivity.

The normal-thru contact interface design of HDVDP/HDVDPM consists of a self-aligning normal-thru U-slot, two redundant points of contact, an independent applied normal force at each contact point, and a mechanical wipe region at each contact interface location. These design attributes provide reliable and repeatable patching/un-patching, resulting in low-level contact resistance stability.

Top View of Normal-Thru Contact Interface (2x)



HDVDP/HDVDPM Key Features

- Light weight design:
 - HDVDPT (full size): 48.05 grams
 - HDVDPMT (mini): 32.1 grams
- High-reliability normal-thru contact design
- Self-wiping normal thru contact design
- Streamlined design for repeatable manufacturability

HDVDPT
HDVDP
HDVDPMT
HDVDPM

Full-size WECO format, terminated
 Full-size WECO format, non-terminated
 mini WECO format, terminated
 mini WECO format, non-terminated



Full Size Patch-Jack
 75Ω Terminated & Non-Terminated

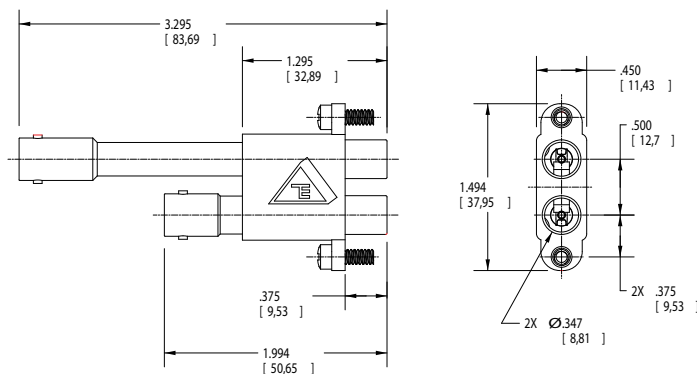


Mini Patch-Jack
 75Ω Terminated & Non-Terminated

HIGH FREQUENCY VIDEO PATCHING

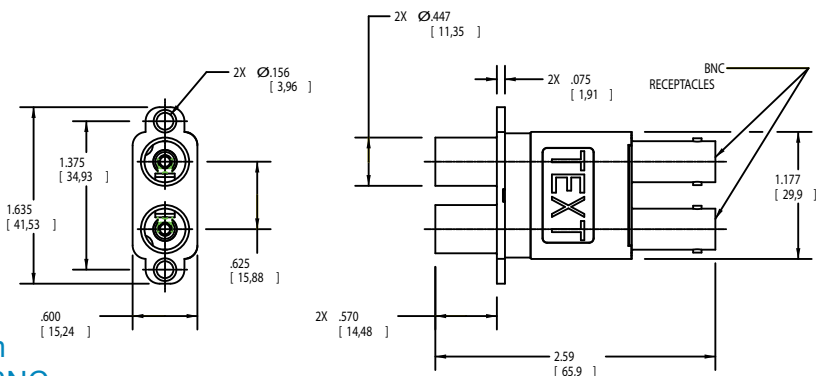
The HDVDPMN is superior quality, high bandwidth, dual video patch jack. This low profile, high performance component is designed for HDTV digital applications where space allocation is critical, such as in video truck application. It is ideal for situations where self-normalling is not practical, usually due to environmental considerations such as high ambient airborne particles or high vibration.

When used in conjunction with the LPMWHF looping plug, a "normal-thru" circuit is achieved, which will pass the full 1.485 Gbps of uncompressed data (2.25GHz of frequency) needed for HDTV, with return loss performance which exceeds SMPTE292M requirements. This high performance is maintained when patching from one location to another, using the PCMW-B-L patch cord (call factory).



HDTV Ready High Frequency 75 Ohm Dual Coaxial Mini-WEC Co Patch Jack with BNC Receptacles

HDVDPMN



HDTV Ready High Frequency 75 Ohm Dual Coaxial WEC Co Patch Jack with BNC Receptacles

HDVDPN

Note: uses the LPW-75 to normalize the circuit

Coaxial Video Monitor Probe

BNC Jack

MP20W

Monitors HDVDP, J314, J214 and J14 Series without interruption of normal-thru signal.

