

COAX TYPE N CONNECTORS, 90 SERIES

COAX F TYPE CONNECTORS, 130 SERIES

Trompeter's Type N Connector Series is utilized for interconnection on antenna towers, lightning protection boxes, power distribution and ancillary systems. Trompeter offers a complete line of remarkable new 50Ω Type N connectors for current industry standard flexible and corrugated cables.

Type N Type Bulkhead Jack
Panel Thk: .250 MAX

50Ω **BJ92**

Between Series Coaxial Female
BNC to Male F Type Adapter 75Ω **AD1300**

F Type Jack

Type F adapter

AD131

AD1300
75 OHM Coaxial Female BNC to Male F Type Adapter

BNC Plug

Right Angle Circuit Board Jack
Type N Coaxial Bulkhead
Mount Receptacle

DD4.310

50Ω **CBBJR99**

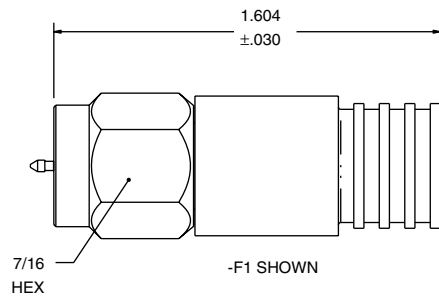
AD1300
BNC to F Type Adapter

AD133
BNC MALE TO F TYPE FEMALE ADAPTER

△ Refers to Cable Group Table, see pages 78-120. "D" mounting holes are on page 60.

COAX CONNECTORS

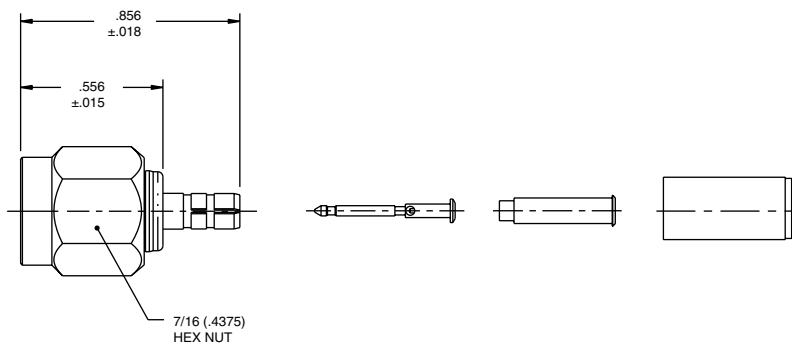
COAX F TYPE CONNECTORS, 130 SERIES



75 Ohm Male Type F Type
Coaxial Cable Plug
(Patent #5860833)

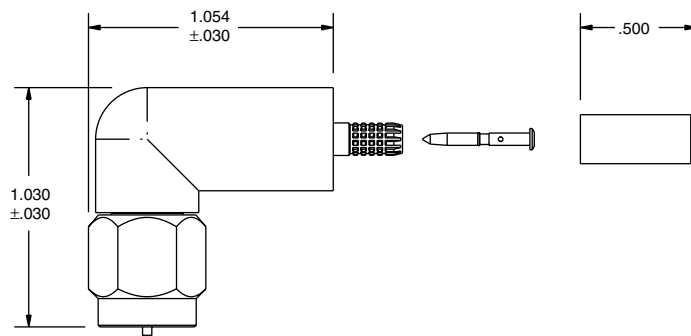
PL130C-(see dash number from chart on right)

PART NO	A DIM	CABLES ACCOMMODATED
PL130C-F1	.360	COMMSCOPE 6 SERIES QUAD (P/N 5740) (P/N F6SSVV)
PL130C-F2	.324	BELDEN 6 SERIES (P/N 82120) (P/N 9114)
PL130C-F3	.360	COMMSCOPE 59 SERIES (P/N S 59 HEC)



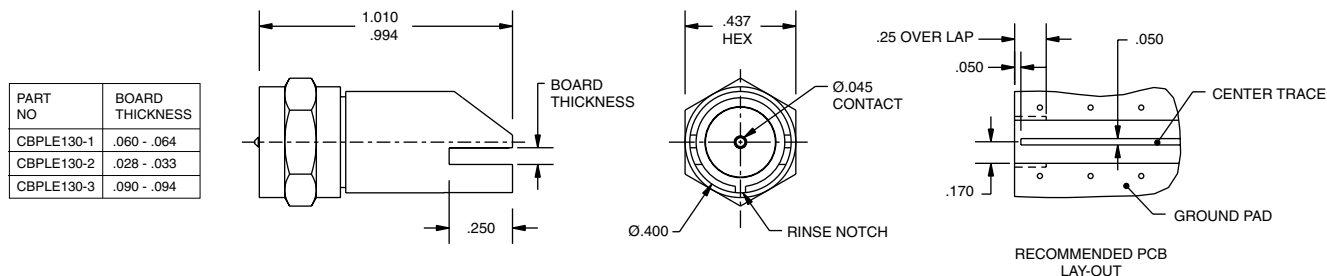
75 Ohm F Type
Tool Crimp Plug **PL130SC**-(see dash number from chart on right)

DASH NO	CABLES ACCOMMODATED	A HEX
-001	RG-178, -196	.178
-002	HEWLETT PACKARD 8120 - 1107	.197
-003	RG-174, 316	.178
-004	RG-179, 187	.178
-005	NORTHERN ELECTRIC DBL - SHLD RG-187	.197
-006	GC875GPI, GRUMMAN DBL - SHLD RG-188	.197
-007	275-3991, MICRODOT	.178
-008	RG-195, -180 421-111, ESSEX	.178
-009	8218, BELDEN YR23023 BELDEN 21-597, ESSEX	.178
-011	RG-58, RG-141, RG-303, TCC-50-2	.213
-013	RG-59	.255
-013A	TCC-75-2	.255
-013B	RG-62	.255
-014	8212, BELDEN	.255
-015	730A, LUCENT	.290
-015A	RG-71	.290
-016	724, LUCENT 8281, BELDEN	.324
-017	RG-6	.344
-018	9268, BELDEN	.255
-019	8279, BELDEN	.255
-020	9248, BELDEN	.290
-021	88240, BELDEN	.213
-022	88241, 88269, BELDEN	.255
-023	89108, BELDEN	.255
-024	89120, BELDEN	.290
-025	734A, LUCENT	.255
-026	735A, LUCENT	.178
-027	KS19224L2, LUCENT	.178

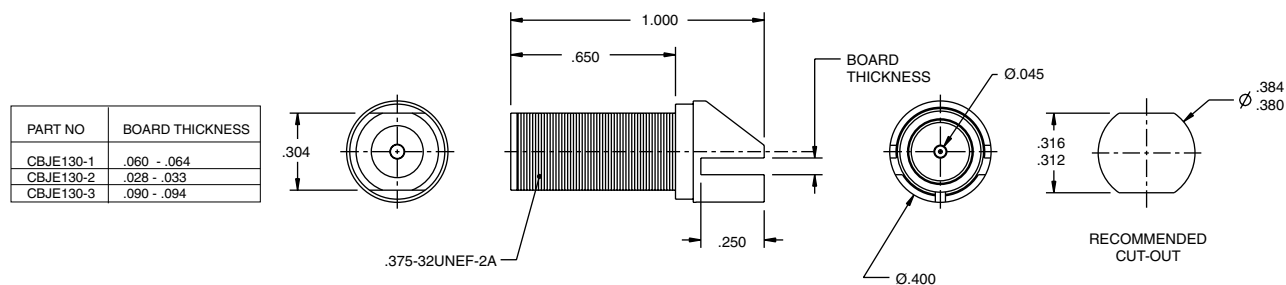


75 Ohm Right Angle
F Type style Full Crimp Cable Plug
PLR130SC-(see dash number from chart on right)

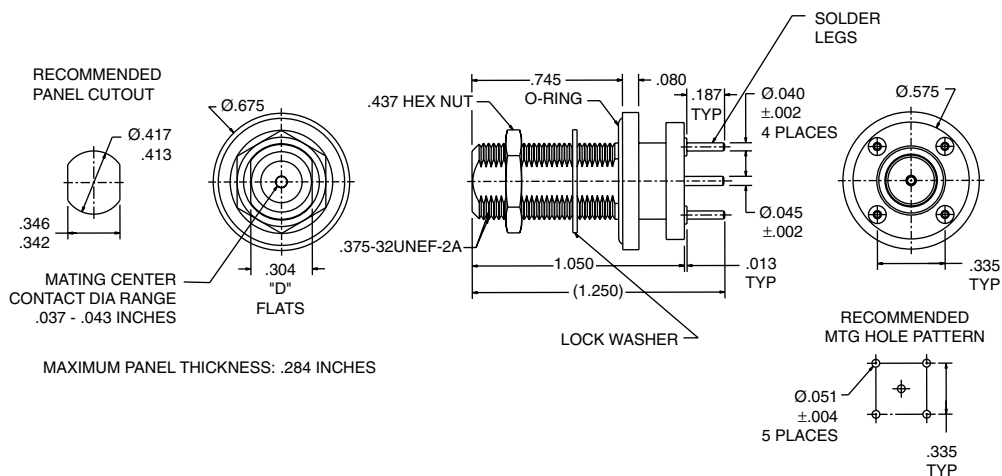
COAX F TYPE CONNECTORS, 130 SERIES



Circuit Board Edge Mount
F Type Style Male Plug **CBPLE130-1,-2, or -3**



Circuit Board Edge Mount
F Type Style Female Jack **CBJE130-1, -2, or -3**



F Type Series, Bulkhead,
Circuit Board Mount Receptacle **CBBJ139**