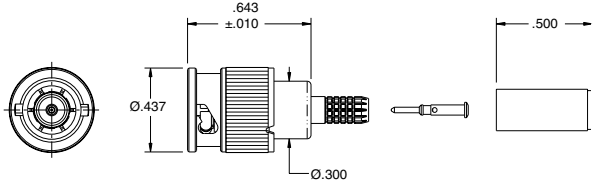
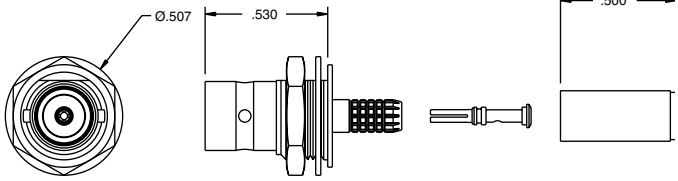
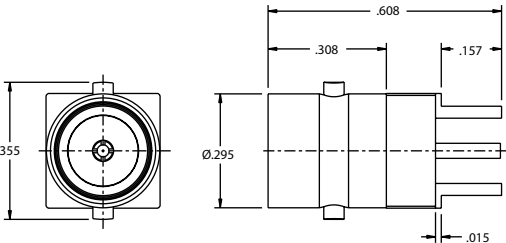
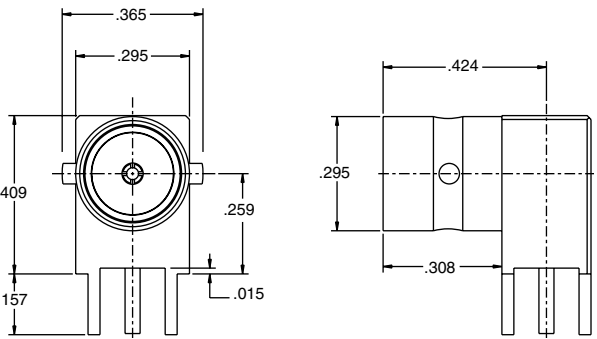


MINIATURE COAX 250 SERIES, MINI-BNC PLUGS & JACKS

The mini-BNC 250 RF connector series from Trompeter was designed specifically for DS3 telco coaxial central office applications to allow higher interconnect density while preserving the positive characteristics of the Trompeter full size BNC. In fact, the 250 series provides for higher density of interconnects in a given area.

 <p>Miniature BNC (M-BNC) Coaxial Plug Straight</p> <p>75Ω UPL250-△</p>	 <p>Miniature BNC (M-BNC) Coaxial Bulkhead Jack Straight</p> <p>75Ω UBJ250-△</p>
 <p>Miniature BNC (M-BNC) Coaxial Circuit Board Jack Straight</p> <p>75Ω UCBJ250-N 75Ω UCBJ250-G</p>	 <p>Miniature BNC (M-BNC) Coaxial Circuit Board Jack Right Angle</p> <p>75Ω UCBJR250-N 75Ω UCBJR250-G</p>

Part Number	Description	Plating	Bulkhead Mount	PCB OA Thickness
UPL250-△	Straight plug M-BNC series	ni	n/a	
UPLR250-△	Right angle plug M-BNC series	ni	n/a	
UBJ250-△	Bulkhead cable jack	ni	yes	
UCBJ250-G	Straight PCB-mounted jack	au	no	
UCBJ250-N	Straight PCB-mounted jack	ni	no	
UCBBJ250-G	Straight PCB-mounted jack	au	yes	
UCBBJ250-N	Straight PCB-mounted jack	ni	yes	
UCBJR250-G	Right angle PCB-mounted jack	au	no	
UCBJR250-N	Right angle PCB-mounted jack	ni	no	
UCBBJR250-G	Right angle PCB-mounted jack	au	yes	
UCBBJR250-N	Right angle PCB-mounted jack	ni	yes	
UCBJE250-1	PCB-edge mounted SMT jack	au	no	0.032
UCBJE250-2	PCB-edge mounted SMT jack	au	no	0.064
UCBBJE250-1	PCB-edge mounted SMT jack	au	yes	0.032
UCBBJE250-2	PCB-edge mounted SMT jack	au	yes	0.064
UAD258	M-BNC jack to M-BNC jack adapter, Barrel adapter	ni	yes	
UTNAF250	Terminators	ni	no	
UTNAM250	Terminators	ni	no	
UADF20M250	BNC to MBNC adapters M to F	ni	no	
UADF20F250	BNC to MBNC adapters M to F	ni	no	
UADF250M20	BNC to MBNC adapters M to F	ni	no	



△ Refers to Cable Group Table, see pages 78-120. "D" mounting holes are on page 60.