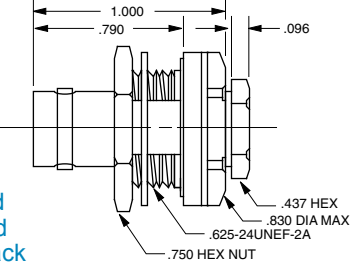
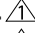
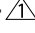
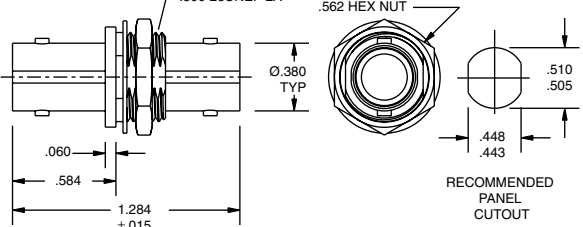
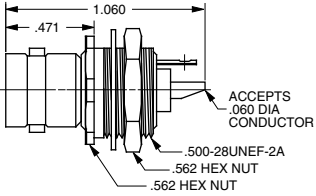
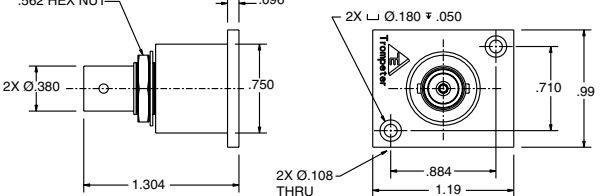
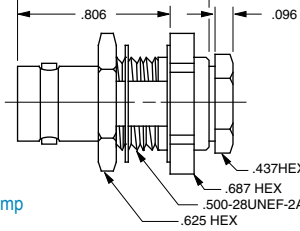
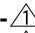
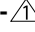
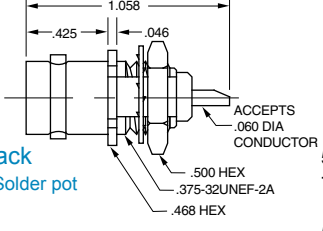
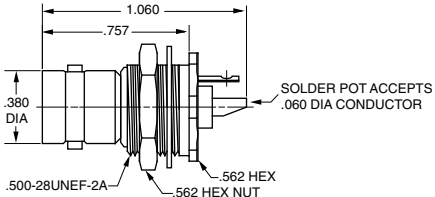
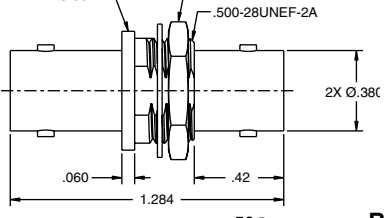
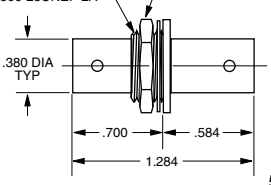
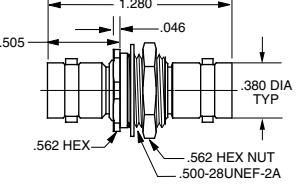
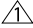


## COAX CONNECTORS

## MINIATURE COAX 20/220 SERIES BNC BULKHEAD JACKS

 <p><b>Insulated Bulkhead Cable Jack</b> Wrench Crimp, Rear mount Mounting Hole: D2.187 GF-Ground filter version page 35</p> <p>50Ω <b>BJ26-</b>  75Ω <b>UBJ26-</b> </p>	 <p><b>Non-insulated Bulkhead Jack</b> Feed-through Mounting Hole: DD3.156</p> <p>50Ω <b>BJ224</b> 75Ω <b>UBJ224</b></p>
 <p><b>Insulated Bulkhead Jack</b> Front Mount, Solder pot Mounting Hole: D3.147</p> <p>50Ω <b>BJ27</b> 75Ω <b>UBJ27</b></p>	 <p><b>Insulated Bulkhead Jack</b> Recessed Insulated Adapter (RIA) Feed-through</p> <p>75Ω <b>UBJ224-RIA</b></p>
 <p><b>Bulkhead Cable Jack</b> Rear Mount, Wrench Crimp Mounting Holes: D3.218 (D2.218-Cable Groups 6, 6E,51,52)</p> <p>50Ω <b>BJ29-</b>  75Ω <b>UBJ29-</b> </p>	 <p><b>Bulkhead Jack</b> Front Mount, Solder pot w/ Solder Lug Mounting Hole: D5.125</p> <p>50Ω <b>BJ20</b> 75Ω <b>UBJ20</b></p> <p>50Ω <b>BJ20SL</b> 75Ω <b>UBJ20SL</b></p>
 <p><b>Bulkhead Jack</b> Non-Insulated Mounting Hole: D3.147</p> <p>50Ω <b>BJ23</b> 75Ω <b>UBJ23</b></p> <p><b>Insulated Bulkhead Cable Jack</b> Rear mount, solder pot Mounting Hole: D3.147</p> <p>50Ω <b>BJ21</b> 75Ω <b>UBJ21</b></p>	 <p><b>Insulated Bulkhead Jack</b> Feed-through Mounting Hole: DD3.156</p> <p>50Ω <b>BJ228</b> 75Ω <b>UBJ228</b></p>
 <p><b>Bulkhead Jack</b> Feed-Through Non-Insulated Mounting Hole: DD3.100, (Hermetically sealed version available, call factory).</p> <p>50Ω <b>BJ24</b> 75Ω <b>UBJ24</b></p>	 <p><b>Insulated Bulkhead Jack</b> Feed-through Mounting Hole: D3.156 (Hermetically sealed version available, call factory). GF-Ground Filter version available page 370c.</p> <p>50Ω <b>BJ28</b> 75Ω <b>UBJ28</b></p>

 Refers to Cable Group Table, see pages 78-120. "D" mounting holes are on page 60.