

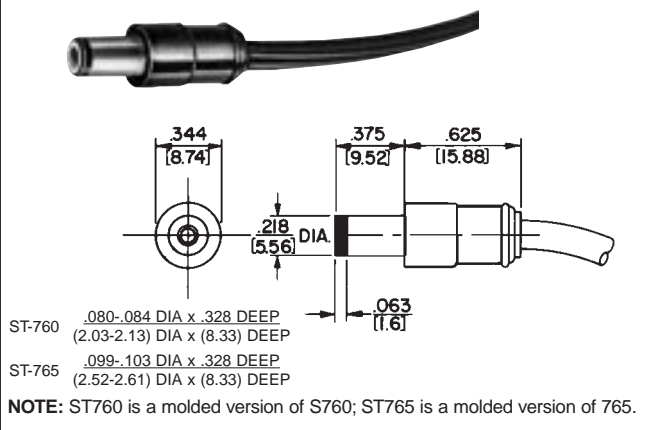
\* Please visit the product pages on our website for the most up-to-date product information

## MOLDED CABLE ASSEMBLIES

### With Power-Plug Battery Charger Plugs and Jacks



#### ST760, ST765 – Termination Code: 47, 48



#### SPECIFICATIONS

##### PLUG

**Sleeve:** Copper alloy, nickel-plated.  
**Pin:** Silver-plated copper alloy.  
**Finger Insulator:** Plastic.  
**Insulating Washers:** Rigid plastic.  
**Sleeve Terminal:** Steel, tin-plated.  
**Molded Handle:** Plastic.

##### JACK

**Bushing:** Brass, nickel-plated copper alloy.  
**Washers:** Rigid plastic.  
**Pin, Springs, and Terminals:** Plated copper alloy.  
**Housings:** Thermoplastic.

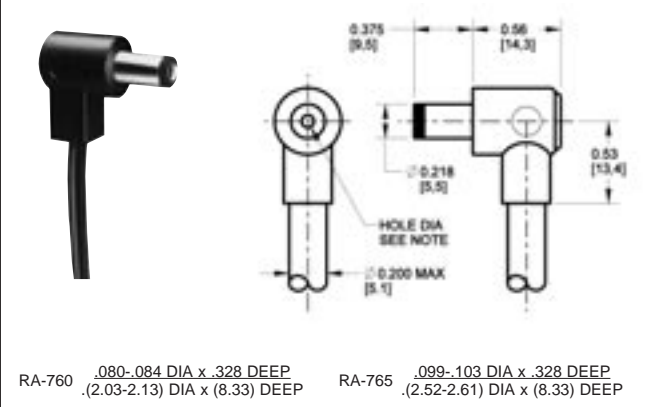
##### CABLE

We will build assemblies on cable furnished by you, .156" (3.96 mm) outside diameter, or on cable we purchase to your specifications. Jacket must have temperature rating of 60° C minimum. Optional mold available for larger cable; order as ST760L or ST765L.

##### DESIGN FEATURES

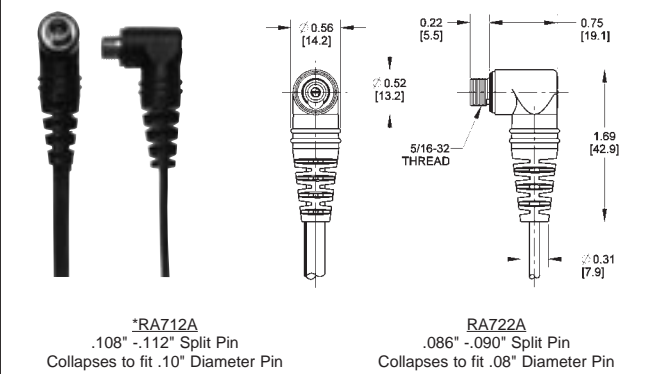
- **ST760, ST760L, RA760** – accepts .08" (2.03 mm) diameter pin.
  - **ST765, ST765L, RA765** – accepts .099" (2.54 mm) diameter pin.
  - **RA712A:**
    - Mates with ST765, ST765L, and RA765.
    - 2 conductor.
    - Mounts in .313" diameter hole in panels up to .125" thick.
    - Pin outside diameter is .108" - .112" split pin.
    - Automatic switchover from AC to DC.
  - **RA722A:**
    - Mates with ST760, ST760L, and RA760.
    - Pin outside diameter is .086" - .090" split pin.
    - Molded-in cable clamp sleeve terminal (RA plugs only).
    - For use with sockets similar to those used on portable radios, tape recorders, television receivers and appliances which feature AC adapters and/or battery chargers.
    - Available with terminations of another ST760, RA760 stripped and tinned ends, spade lugs, alligator clips, and more on special order.
    - Jacks available with extended bushing for use with Switchcraft locking power plugs 761K, 766K, S761K, and S766K on special order.
- See ordering guide on next page.

#### RA760, RA765 – Termination Code: 52, 53



#### RA712A and RA722A

##### Termination Code: 71, 72

DIMENSIONS ARE FOR REFERENCE ONLY  $\frac{\text{Inch}}{(\text{mm})}$