

SMZ 75 Ohm (TYPE 43)

SMZ
75 Ohm
(TYPE 43)

SMZ - 75 Ohm

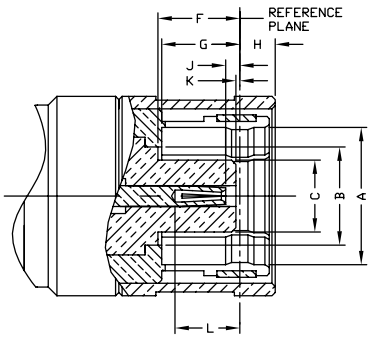
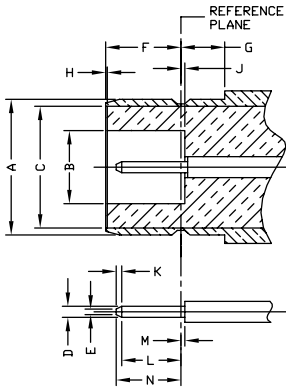
PLUG		JACK																																																																													
	<table border="1"> <thead> <tr> <th rowspan="2">LETTER</th> <th colspan="2">INCHES [MILLIMETERS]</th> </tr> <tr> <th>MINIMUM</th> <th>MAXIMUM</th> </tr> </thead> <tbody> <tr> <td>A</td> <td>.246 [6.25]</td> <td>-</td> </tr> <tr> <td>B</td> <td>.220 [5.59]</td> <td>NOMINAL</td> </tr> <tr> <td>C</td> <td>-</td> <td>.131 [3.33]</td> </tr> <tr> <td>F</td> <td>.141 [3.58]</td> <td>-</td> </tr> <tr> <td>G</td> <td>.141 [3.58]</td> <td>-</td> </tr> <tr> <td>H</td> <td>-</td> <td>.093 [2.36]</td> </tr> <tr> <td>J</td> <td>.007 [0.18]</td> <td>-</td> </tr> <tr> <td>K</td> <td>.007 [0.18]</td> <td>.037 [0.94]</td> </tr> <tr> <td>L</td> <td>.117 [2.97]</td> <td>-</td> </tr> </tbody> </table>	LETTER	INCHES [MILLIMETERS]		MINIMUM	MAXIMUM	A	.246 [6.25]	-	B	.220 [5.59]	NOMINAL	C	-	.131 [3.33]	F	.141 [3.58]	-	G	.141 [3.58]	-	H	-	.093 [2.36]	J	.007 [0.18]	-	K	.007 [0.18]	.037 [0.94]	L	.117 [2.97]	-		<table border="1"> <thead> <tr> <th rowspan="2">LETTER</th> <th colspan="2">INCHES [MILLIMETERS]</th> </tr> <tr> <th>MINIMUM</th> <th>MAXIMUM</th> </tr> </thead> <tbody> <tr> <td>A</td> <td>.244 [6.20]</td> <td>.246 [6.25]</td> </tr> <tr> <td>B</td> <td>.132 [3.35]</td> <td>-</td> </tr> <tr> <td>C</td> <td>.220 [5.59]</td> <td>NOMINAL</td> </tr> <tr> <td>D</td> <td>.019 [0.48]</td> <td>.021 [0.53]</td> </tr> <tr> <td>E</td> <td>-</td> <td>.010 [0.25]</td> </tr> <tr> <td>F</td> <td>.131 [3.33]</td> <td>.141 [3.58]</td> </tr> <tr> <td>G</td> <td>.079 [2.01]</td> <td>-</td> </tr> <tr> <td>H</td> <td>000</td> <td>-</td> </tr> <tr> <td>J</td> <td>-</td> <td>.007 [0.18]</td> </tr> <tr> <td>K</td> <td>.010 [0.25]</td> <td>-</td> </tr> <tr> <td>L</td> <td>.052 [1.32]</td> <td>-</td> </tr> <tr> <td>M</td> <td>-</td> <td>.007 [0.18]</td> </tr> <tr> <td>N</td> <td>-</td> <td>.117 [2.97]</td> </tr> </tbody> </table>	LETTER	INCHES [MILLIMETERS]		MINIMUM	MAXIMUM	A	.244 [6.20]	.246 [6.25]	B	.132 [3.35]	-	C	.220 [5.59]	NOMINAL	D	.019 [0.48]	.021 [0.53]	E	-	.010 [0.25]	F	.131 [3.33]	.141 [3.58]	G	.079 [2.01]	-	H	000	-	J	-	.007 [0.18]	K	.010 [0.25]	-	L	.052 [1.32]	-	M	-	.007 [0.18]	N	-	.117 [2.97]
LETTER	INCHES [MILLIMETERS]																																																																														
	MINIMUM	MAXIMUM																																																																													
A	.246 [6.25]	-																																																																													
B	.220 [5.59]	NOMINAL																																																																													
C	-	.131 [3.33]																																																																													
F	.141 [3.58]	-																																																																													
G	.141 [3.58]	-																																																																													
H	-	.093 [2.36]																																																																													
J	.007 [0.18]	-																																																																													
K	.007 [0.18]	.037 [0.94]																																																																													
L	.117 [2.97]	-																																																																													
LETTER	INCHES [MILLIMETERS]																																																																														
	MINIMUM	MAXIMUM																																																																													
A	.244 [6.20]	.246 [6.25]																																																																													
B	.132 [3.35]	-																																																																													
C	.220 [5.59]	NOMINAL																																																																													
D	.019 [0.48]	.021 [0.53]																																																																													
E	-	.010 [0.25]																																																																													
F	.131 [3.33]	.141 [3.58]																																																																													
G	.079 [2.01]	-																																																																													
H	000	-																																																																													
J	-	.007 [0.18]																																																																													
K	.010 [0.25]	-																																																																													
L	.052 [1.32]	-																																																																													
M	-	.007 [0.18]																																																																													
N	-	.117 [2.97]																																																																													
SPECIFICATIONS																																																																															
ELECTRICAL SPECIFICATIONS IMPEDANCE: 75 Ω WORKING VOLTAGE RATING: 500 VRMS @ SEA LEVEL (DEPENDENT ON CABLE) FREQUENCY RANGE: 0-3 GHZ		MECHANICAL SPECIFICATIONS MATING: SNAP ON COUPLING, POSI-LOCK INTERFACE: MIL-STD-348 CABLING: CRIMP FOR RG-179/U ONLY																																																																													
		PLATING G - GOLD N - NICKEL DIELECTRIC MATERIAL T - TEFLON																																																																													



FIG. 1
RSB-300-1-179



FIG. 2
RSB-301-179



FIG. 3
RSB-310-1-179



FIG. 4
RSB-350-1



FIG. 5
RSB-355-1

PHOTOS FOR REFERENCE ONLY, SHOWN AT 100% ACTUAL SIZE.

FOR MOUNTING CONFIGURATIONS REFER TO PAGES 149-164

PART #	FIG	DESCRIPTION	NOTES AND CABLE GROUPS	PLATING			RECOMMENDED TOOL
				BDY	P/C	DIE	
RSB-300-1-179	1	CRIMP PLUG	FOR RG-179/U ONLY	G	G	T	RFA-4009-204
RSB-301-179	2	CRIMP PLUG	WITH POSI-LOCK SHELL, FOR RG-179/U ONLY	N	G	T	RFA-4009-204
RSB-310-1-179	3	RIGHT ANGLE CRIMP PLUG	FOR RG-179/U ONLY	G	G	T	RFA-4009-204
RSB-350-1	4	VERTICAL PCB MOUNT JACK		G	G	T	
RSB-355-1	5	RIGHT ANGLE PCB MOUNT JACK		G	G	T	