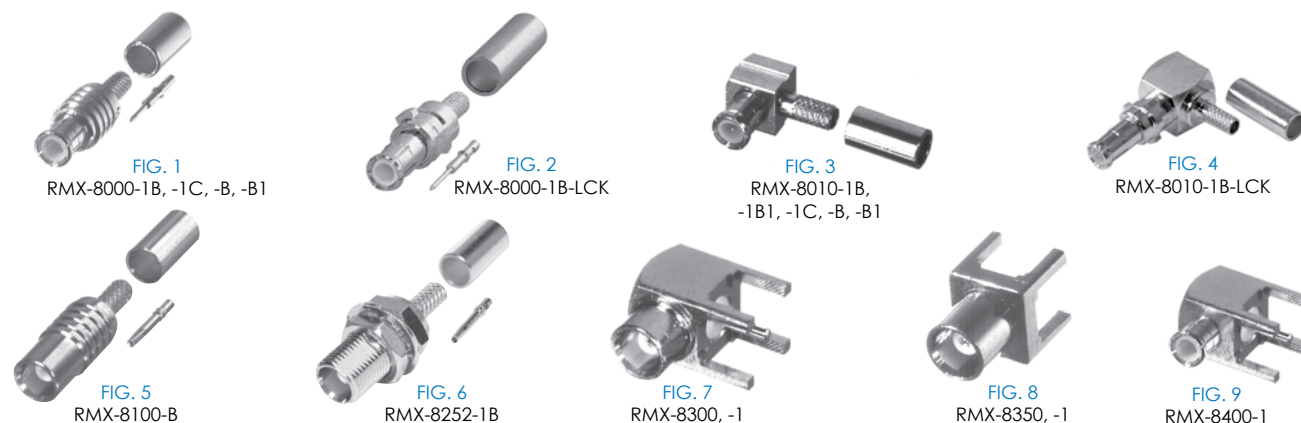


SPECIFICATIONS		CABLE GROUPS	
<p>ELECTRICAL SPECIFICATIONS IMPEDANCE: 50 Ω WORKING VOLTAGE RATING: 335 VRMS FREQUENCY RANGE: 0-6 GHZ</p> <p>MECHANICAL SPECIFICATIONS MATING: SNAP ON COUPLING INTERFACE: CECC 22220 CABLING: CRIMP</p>	<p style="text-align: center;">plating</p> <p>N - NICKEL G - GOLD</p> <p style="text-align: center;">DIELECTRIC MATERIAL</p> <p>T - TEFLON</p>	<p>grp</p>	<p style="text-align: center;">for these cable types</p> <p>B TIMES LMR-100A; RG-174, 188, 188A, 316/U; ALPHA 9174, 9316; BELDEN 7805A, 8216, 83269, 83284, 84316; COMMSCOPE AMC-174, WBC-100</p> <p>B1 RG-316/U DOUBLE SHIELD; RD-316; BELDEN 83269; COLEMAN 1596</p> <p>C TIMES LMR-195; RG-58, 58A, 58C, 141, 141A/U; ANDREW CNT-195, CNT-195-DB, CNT-195-FR; BELDEN 7806A, 8219, 8240, 8259, 8262, 9201, 9203, 9310, 9311; COMMSCOPE WBC-195, WBC-195R, 0268, TCOM-195, TCOM-195-FR; HARBOUR HPF195</p>
FOR A MORE EXTENSIVE LISTING OF CABLE GROUPS, PLEASE REFER TO PAGES 134-145			



PHOTOS FOR REFERENCE ONLY, SHOWN AT 150% ACTUAL SIZE.

FOR MOUNTING CONFIGURATIONS REFER TO PAGES 149-164

PART #	FIG	DESCRIPTION	CBL GRP	NOTES	PLATING			RECOMMENDED TOOL
					BDY	P/C	DIE	
RMX-8000-1B	1	CRIMP PLUG	B	FOR RG-174/U	G	G	T	RFA-4009-204
RMX-8000-1B-LCK	2	CRIMP PLUG	B	FOR RG-174/U	G	G	T	RFA-4009-204
RMX-8000-1C	1	CRIMP PLUG	C	FOR RG-58/U	G	G	T	RFA-4009-206
RMX-8000-B	1	CRIMP PLUG	B	FOR RG-174/U	N	G	T	RFA-4009-204
RMX-8000-B1	1	CRIMP PLUG	B1	FOR RG-316/U DOUBLE SHIELD	N	G	T	RFA-4009-204
RMX-8010-1B	3	RIGHT ANGLE CRIMP PLUG	B	FOR RG-174/U	G	G	T	RFA-4009-204
RMX-8010-1B-LCK	4	RIGHT ANGLE CRIMP PLUG	B	FOR RG-174/U	G	G	T	RFA-4009-204
RMX-8010-1B1	3	RIGHT ANGLE CRIMP PLUG	B1	FOR RG-316/U DOUBLE SHIELD	G	G	T	RFA-4009-204
RMX-8010-1C	3	RIGHT ANGLE CRIMP PLUG	C	FOR RG-58/U	G	G	T	RFA-4009-206
RMX-8010-B	3	RIGHT ANGLE CRIMP PLUG	B	FOR RG-174/U	N	G	T	RFA-4009-204
RMX-8010-B1	3	RIGHT ANGLE CRIMP PLUG	B1	FOR RG-316/U DOUBLE SHIELD	N	G	T	RFA-4009-204
RMX-8100-B	5	CRIMP JACK	B	FOR RG-174/U	N	G	T	RFA-4009-204
RMX-8252-1B	6	BULKHEAD CRIMP JACK	B	FOR RG-174/U	G	G	T	RFA-4009-204
RMX-8300	7	RIGHT ANGLE JACK PCB MOUNT			N	G	T	
RMX-8300-1	7	RIGHT ANGLE JACK PCB MOUNT			G	G	T	
RMX-8350	8	VERTICAL JACK PCB MOUNT			N	G	T	
RMX-8350-1	8	VERTICAL JACK PCB MOUNT			G	G	T	
RMX-8400-1	9	RIGHT ANGLE PCB MOUNT			G	G	T	