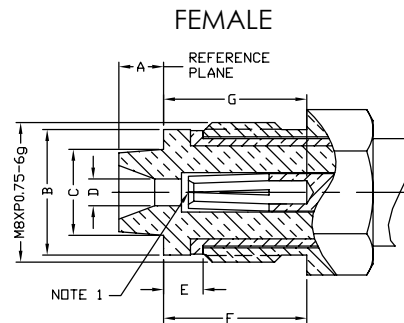


| LETTER | INCHES [MILLIMETERS] |             |
|--------|----------------------|-------------|
|        | MINIMUM              | MAXIMUM     |
| A      | .220 [5.59]          | -           |
| B      | .298 [7.57]          | .300 [7.62] |
| C      | .098 [2.49]          | -           |
| D      | .046 [1.17]          | .048 [1.23] |
| E      | .189 [4.80]          | -           |
| F      | -                    | .315 [8.00] |



| LETTER | INCHES [MILLIMETERS] |             |
|--------|----------------------|-------------|
|        | MINIMUM              | MAXIMUM     |
| A      | -                    | .098 [2.50] |
| B      | -                    | .276 [7.00] |
| C      | -                    | .189 [4.80] |
| D      | .051 [1.30]          | -           |
| E      | .087 [2.20]          | -           |
| F      | .315 [8.00]          | -           |
| G      | .315 [8.00]          | -           |

NOTE 1: I.D. TO MEET VSWR AND CONTACT RESISTANCE REQUIREMENTS

| SPECIFICATIONS  | CABLE GROUPS |  |
|---|--------------|--|
| <b>ELECTRICAL SPECIFICATIONS</b><br>IMPEDANCE: 50 Ω<br>WORKING VOLTAGE RATING: 335 VRMS @SEA LEVEL<br>(DEPENDENT ON CABLE)<br>FREQUENCY RANGE: 0-2 GHZ<br><br><b>MECHANICAL SPECIFICATIONS</b><br>MATING: M8XP .75 THREAD<br><br><b>PLATING</b><br>G - GOLD<br>N - NICKEL<br><br><b>DIELECTRIC MATERIAL</b><br>D - DELRIN<br>T - TEFLON | <b>GRP</b>   | <b>FOR THESE CABLE TYPES</b>   |
|   | B            | TIMES LMR-100A; RG-174, 188, 188A, 316/U; ALPHA 9174, 9316; BELDEN 7805A, 8216, 83269, 83284, 84316; COMMSCOPE AMC-174, WBC-100  |
|   | C            | TIMES LMR-195; RG-58, 58A, 58C, 141, 141A/U; ANDREW CNT-195, CNT-195-DB, CNT-195-FR; BELDEN 7806A, 8219, 8240, 8259, 8262, 9201, 9203, 9310, 9311; COMMSCOPE WBC-195, WBC-195R, 0268, TCOM-195, TCOM-195-FR; HARBOUR HPF195            |
|   | C1           | RG-55, 55A, 55B, 142, 142A, 142B, 223, 400/U; ALPHA 9055, 9055B, 9223; BELDEN 7806A, 83242, 84142  |
|   | C2           | TIMES LMR-200, MSI-22; ALPHA 9848; BELDEN 7807A; COMMSCOPE AMC-58LL, WBC-200, WBC-200R, TCOM-200, TCOM-200-FR; HARBOUR HPF200  |
|   | X            | TIMES LMR-240, LMR-240 ULTRAFLEX; RG-8X; ANDREW CNT-240, CNT-240AL, CNT-240ALS, CNT-240-DB, CNT-240-FR, CNT-240-W; BELDEN 9258; COMMSCOPE TCOM-240, TCOM-240-FR, WBC-240, WBC-240R; HARBOUR HPF240; MICRO 8/U; REMEE 1600; SAXTON 8315 |
| <b>FOR A MORE EXTENSIVE LISTING OF CABLE GROUPS, PLEASE REFER TO PAGES 134-145</b>  |              |  |



PHOTOS FOR REFERENCE ONLY, SHOWN AT 100% ACTUAL SIZE.

FOR MOUNTING CONFIGURATIONS REFER TO PAGES 149-164

| PART #      | FIG | DESCRIPTION  | CBL GRP | NOTES                      | PLATING |     |     | RECOMMENDED TOOL |
|-------------|-----|--------------|---------|----------------------------|---------|-----|-----|------------------|
|             |     |              |         |                            | BDY     | P/C | DIE |                  |
| RFE-6000-B  | 1   | MALE CRIMP   | B       | FOR RG-174/U               | N       | G   | T   | RFA-4009-204     |
| RFE-6000-C  | 2   | MALE CRIMP   | C       | FOR RG-58/U                | N       | G   | T   | RFA-4009-206     |
| RFE-6050-C  | 3   | FEMALE CRIMP | C       | FOR RG-58/U                | N       | G   | D   | RFA-4009-206     |
| RFE-6050-C1 | 3   | FEMALE CRIMP | C1      | FOR RG-142/U               | N       | G   | T   | RFA-4009-206     |
| RFE-6050-C2 | 3   | FEMALE CRIMP | C2      | FOR TIMES LMR-200          | N       | G   | T   | RFA-4009-206     |
| RFE-6050-X  | 3   | FEMALE CRIMP | X       | FOR RG-8/X & TIMES LMR-240 | N       | G   | T   | RFA-4009-203     |
| RFE-6100    | 4   | ADAPTER      |         | FME MALE TO FME MALE       | N       | G   | T   |                  |