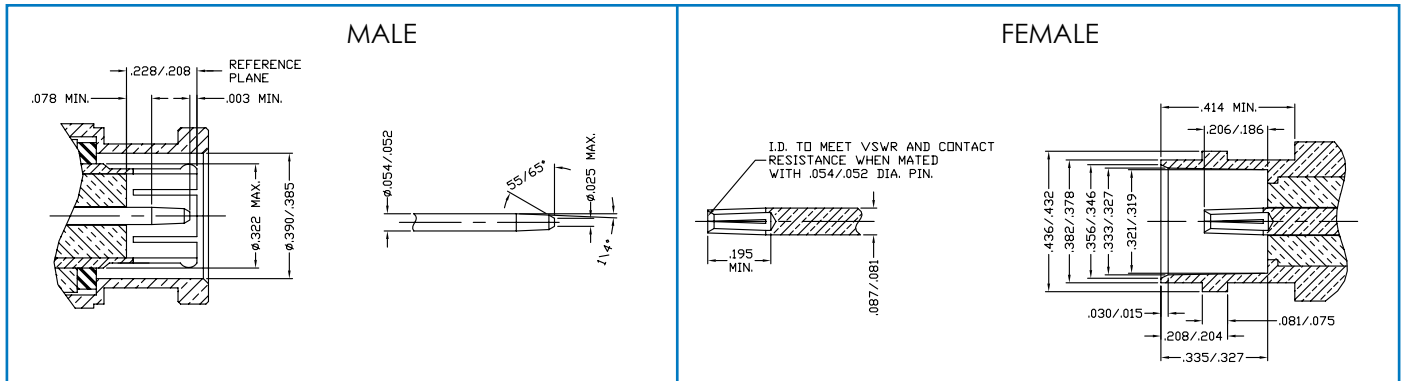


## BNC — 75 OHM

BNC - 75 Ohm

BNC - 75 Ohm



| SPECIFICATIONS   | CABLE GROUPS   |   |
|--|--|---|
| <b>ELECTRICAL SPECIFICATIONS</b><br>IMPEDANCE: 75 Ω<br>WORKING VOLTAGE RATING: 500 VRMS<br>FREQUENCY RANGE: 0-2 GHz<br><br><b>MECHANICAL SPECIFICATIONS</b><br>MATING: 2-STUD BAYONET LOCK COUPLING<br>INTERFACE: MIL-STD-348<br>CABLING: CLAMP, CRIMP, COMPRESSION<br>AND TWIST-ON<br><br><b>PLATING</b><br>G - GOLD<br>N - NICKEL<br>S - SILVER<br>TP - THERMOPLASTIC<br><br><b>DIELECTRIC MATERIAL</b><br>D - DELRIN<br>P - POLYPROPYLENE<br>T - TEFLON<br>TP - THERMOPLASTIC | <b>GRP</b>   | <b>FOR THESE CABLE TYPES</b>  |
|  | D  | RG-59, 59A, 59B, 62, 62A, 62C/U; ALPHA 9059, 9062, 9830, 9840, 9845; BELDEN 8221, 8241, 9169, 9204, 9228; CANARE LV-61S; COMMSCOPE 5550, 5555, 5560, 5563 |
|  | D1   | BELDEN 1426A, 1505A, 8212, 8241F, 9100, 9110, 9165, 9171, 9240, 9259, 9265, 9274, 9275, 9659, YR2393D; COMMSCOPE 5553, 5565, 5552, 5550, 5567, 5571       |
|  | D2   | BELDEN 8279, 8279A, 9209, 9209A, 82241, 88241; COMMSCOPE 2041K, 7573  |
|  | D3   | RG-59/U TYPE; BELDEN 1506A, 1825A, 1826A, 82108, 89108, 89259; COMMSCOPE 2045, 2045V, 2065V   |
|  | G  | ALPHA 9807, 9808, 9813; BELDEN 8281, 9141, 9231, 88281; COMMSCOPE 2527K, 7501, 7503, 7505, 7506; CANARE LV-775; WESTERN ELECTRIC WE724, WE728, WE729      |
|  | J  | BELDEN 1164A, 1164B, 1167B, 1263A, 1406B, 1407B, 1417B, 1818B, 1865A, 8218; COMMSCOPE 7537, 753603, 753604, 753605; RAYCHEM EPD 0810                      |
|  | K  | COMMSCOPE 735, 73501, 73501P  |
|  | Q  | RG-6/U TYPE; BELDEN 1694A, 9248; COMMSCOPE 5715, 5729, 5765   |
|  | Q1   | RG-6/U TYPE PLENUM; BELDEN 1695A, 82120, 82248, 87120, 89120, 89248; COMMSCOPE 2278, 2278V, 2279, 2279K, 2279V  |
|  | R  | RG-11/U TYPE; BELDEN 8213, 8238, 8261, 9011, 9292; COMMSCOPE 3247, 5901, 5903, 5908, 5909, 5916, 5916R, 5918  |
|  | S  | RG-161, 179, 179A, 187, 187A/U; BELDEN 1520A, 1521A, 1522A, 9221; COMMSCOPE 15-55340  |
|  | <b>FOR A MORE EXTENSIVE LISTING OF CABLE GROUPS, PLEASE REFER TO PAGES 134-145</b> |   |

COMPRESSION CONNECTOR  
 See compression tools on page 17



PHOTOS FOR REFERENCE ONLY, SHOWN AT 100% ACTUAL SIZE.

FOR MOUNTING CONFIGURATIONS REFER TO PAGES 149-164

| PART #     | FIG | DESCRIPTION            | CBL GRP | NOTES                        | REPLACES OR EQUIVALENT TO  | PLATING |     |     | RECOMMENDED TOOL |
|------------|-----|------------------------|---------|------------------------------|----------------------------|---------|-----|-----|------------------|
|            |     |                        |         |                              |                            | BDY     | P/C | DIE |                  |
| RFB-1701-D | 1   | MALE CLAMP             | D       | FOR RG-59/U                  | HUBER SUHNER 11 BNC-75-4-2 | N       | G   | T   |                  |
| RFB-1701-G | 1   | MALE CLAMP             | G       | BELDEN 8281                  |                            | N       | S   | T   |                  |
| RFB-1704-D | 2   | MALE COMPRESSION CRIMP | D       | FOR RG-59/U                  | BLACK BAND                 | N       | G   | T   | RFA-4004-20      |
| RFB-1704-Q | 2   | MALE COMPRESSION CRIMP | Q       | FOR RG-6/U                   | RED BAND                   | N       | G   | T   | RFA-4004-20      |
| RFB-1705   | 3   | MALE TWIST-ON          | D       | FOR RG-59/U                  |                            | N       | G   | D   |                  |
| RFB-1706-9 | 4   | MALE CRIMP             | D       | QUICK DISCONNECT FOR RG-59/U |                            | N       | G   | D   | RFA-4009-203     |

## 75 Ohm BNC CONNECTORS AND IN-SERIES ADAPTERS — Continued

BNC - 75 Ohm

BNC - 75 Ohm



FIG. 5  
RFB-1707-D



FIG. 6  
RFB-1707-2, -D2, -D3, -G, -J,  
-K, -Q, QQ, -Q1, -S, S1  
RFB-1708, -IT



FIG. 7  
RFB-1707-R, R1



FIG. 8  
RFB-1709-D



FIG. 9  
RFB-1710-D



FIG. 10  
RFB-1710-K,



FIG. 11  
RFB-1710-Q



FIG. 12  
RFB-1710-S, -S1

PHOTOS FOR REFERENCE ONLY, SHOWN AT 100% ACTUAL SIZE.

FOR MOUNTING CONFIGURATIONS REFER TO PAGES 149-164

| PART #      | FIG | DESCRIPTION            | CBL<br>GRP | NOTES                      | REPLACES OR<br>EQUIVALENT TO | PLATING |     |     | RECOM-<br>MENDED<br>TOOL |
|-------------|-----|------------------------|------------|----------------------------|------------------------------|---------|-----|-----|--------------------------|
|             |     |                        |            |                            |                              | BDY     | P/C | DIE |                          |
| RFB-1707-2  | 6   | MALE CRIMP             | D,<br>D1   | FOR RG-59/U                | UG-1789/U                    | N       | G   | D   | RFA-4009-203             |
| RFB-1707-D  | 5   | MALE CRIMP             | D,<br>D1   | FOR RG-59/U                | UG-1789/U, KINGS 2025-59-9   | N       | G   | T   | RFA-4009-203             |
| RFB-1707-D2 | 6   | MALE CRIMP             | D2         | FOR BELDEN 8279            | KINGS 2025-38-9              | N       | G   | T   | RFA-4009-203             |
| RFB-1707-D3 | 6   | MALE CRIMP             | D3         | FOR RG-59/U TYPE           | KINGS 2025-53-9              | N       | G   | T   | RFA-4009-203             |
| RFB-1707-G  | 6   | MALE CRIMP             | G          | FOR BELDEN 8281            | KINGS 2025-55-9              | N       | G   | T   | RFA-4005-308             |
| RFB-1707-J  | 6   | MALE CRIMP             | J          | FOR BELDEN 8218            | KINGS 2025-47-9              | N       | G   | T   | RFA-4005-307             |
| RFB-1707-K  | 6   | MALE CRIMP             | K          | FOR COMMSCOPE 735          | KINGS 2025-44-9              | N       | G   | T   | RFA-4005-307             |
| RFB-1707-Q  | 6   | MALE CRIMP             | Q          | FOR RG-6/U                 | KINGS 2025-79-9              | N       | G   | T   | RFA-4005-308             |
| RFB-1707-Q1 | 6   | MALE CRIMP             | Q1         | FOR RG-6/U TYPE            | KINGS 2025-89-9              | N       | G   | T   | RFA-4005-308             |
| RFB-1707-QQ | 6   | MALE CRIMP             |            | FOR RG-59/U AND RG-62/U    |                              |         |     |     | RFA-4009-203             |
| RFB-1707-R  | 7   | MALE CRIMP             | R          | FOR RG-11/U                | HUBER SUHNER 11 BNC-75-7-5   | N       | G   | T   | RFA-4009-205             |
| RFB-1707-R1 | 7   | MALE CRIMP             | R1         | FOR RG-11/U TYPE           | 18 AWG CENTER COND. CABLE    | N       | G   | T   | RFA-4009-205             |
| RFB-1707-S  | 6   | MALE CRIMP             | S          | FOR RG-11/U TYPE           | 18 AWG CENTER COND. CABLE    | N       | G   | T   | RFA-4005-307             |
| RFB-1707-S1 | 6   | MALE CRIMP             | S1         | FOR RG-179 DOUBLE SHIELD   |                              | N       | G   | T   | RFA-4005-307             |
| RFB-1708    | 6   | MALE CRIMP             | G          | FOR BELDEN 8281            | KINGS 2025-58-9              | N       | G   | D   | RFA-4005-308             |
| RFB-1708-IT | 6   | MALE CRIMP             | G          | FOR BELDEN 8281            | KINGS 2025-58-9              | S       | G   | T   | RFA-4005-308             |
| RFB-1709-D  | 8   | MALE RIGHT ANGLE CLAMP | D          | FOR RG-59/U                | HUBER SUHNER 16 BNC-75-4-2   | N       | G   | T   |                          |
| RFB-1710-D  | 9   | MALE RIGHT ANGLE CRIMP | D          | FOR RG-59/U                | AMPHENOL 31-71010            | N       | G   | T   | RFA-4009-203             |
| RFB-1710-K  | 10  | MALE RIGHT ANGLE CRIMP | K          | FOR COMMSCOPE 735          | KINGS 2026-17-9              | N       | G   | T   | RFA-4005-305             |
| RFB-1710-Q  | 11  | MALE RIGHT ANGLE CRIMP | Q          | FOR RG-6/U                 |                              | N       | G   | T   | RFA-4005-308             |
| RFB-1710-S  | 12  | MALE RIGHT ANGLE CRIMP | S          | FOR RG-179/U               | HUBER SUHNER 16 BNC-75-2-3   | N       | G   | T   | RFA-4005-307             |
| RFB-1710-S1 | 12  | MALE RIGHT ANGLE CRIMP | S1         | FOR RG-179/U DOUBLE SHIELD |                              | N       | G   | T   | RFA-4005-307             |

## 75 Ohm BNC CONNECTORS AND IN-SERIES ADAPTERS — Continued

BNC - 75 Ohm

BNC - 75 Ohm

FIG. 13  
RFB-1712-WFIG. 14  
RFB-1715-6FIG. 15  
RFB-1715-11FIG. 16  
RFB-1716FIG. 17  
RFB-1716-IFIG. 18  
RFB-1717, D1-03, -Q, -SFIG. 19  
RFB-1720FIG. 20  
RFB-1722FIG. 21  
RFB-1724, -K, D3, -Q, -S, S1FIG. 22  
RFB-1730

PHOTOS FOR REFERENCE ONLY, SHOWN AT 100% ACTUAL SIZE.

FOR MOUNTING CONFIGURATIONS REFER TO PAGES 149-164

| PART #         | FIG | DESCRIPTION                     | CBL GRP | NOTES  | REPLACES OR EQUIVALENT TO  | PLATING |     |     | RECOMMENDED TOOL |
|----------------|-----|---------------------------------|---------|--|----------------------------|---------|-----|-----|------------------|
|                |     |                                 |         |  |                            | BDY     | P/C | DIE |                  |
| RFB-1712-W     | 13  | FEMALE R/A LO-PROFILE PCB MOUNT |         | WITH POST LEGS, WHITE  | AMPHENOL 31-71052          | N/TP    | G   | PP  |                  |
| RFB-1715-6     | 14  | FEMALE RIGHT ANGLE PCB MOUNT    |         | DIECAST ZINC   |                            | N       | G   | T   |                  |
| RFB-1715-11    | 15  | FEMALE VERTICAL PCB MOUNT       |         | 4 LEGS ON .400" CENTERS  | HUBER SUHNER 82 BNC-75-0-2 | N       | G   | T   |                  |
| RFB-1716       | 16  | FEMALE BULKHEAD                 |         | FRONT MOUNT WITH D-FLAT, DIECAST ZINC                          | AMPHENOL 31-71004          | N       | G   | D   |                  |
| RFB-1716-I     | 17  | FEMALE BULKHEAD                 |         | FRONT MOUNT WITH D-FLAT, INSULATED                             | AMPHENOL 31-10-75          | N       | G   | TP  |                  |
| RFB-1717       | 18  | FEMALE CRIMP BULKHEAD           | D       | REAR MOUNT WITH D-FLAT & O-RING, FOR RG-59/U                   | AMPHENOL 31-71011-RFX      | N       | G   | D   | RFA-4009-203     |
| RFB-1717-D1-03 | 18  | FEMALE CRIMP BULKHEAD           | D1      | FOR BELDEN 8212  |                            | N       | G   | D   | RFA-4009-203     |
| RFB-1717-Q     | 18  | FEMALE CRIMP BULKHEAD           | Q       | REAR MOUNT WITH D-FLAT & O-RING, FOR RG-6/U                    | KINGS 2022-29-9            | N       | G   | T   | RFA-4005-308     |
| RFB-1717-S     | 18  | FEMALE CRIMP BULKHEAD           | S       | REAR MOUNT WITH D-FLAT & O-RING, SOLDER ONLY PIN, FOR RG-179/U | AMPHENOL 31-70016          | N       | G   | T   | RFA-4009-204     |
| RFB-1720       | 19  | FEMALE CLAMP                    | D       | FOR RG-59/U  | UG-261C/U                  | N       | S   | T   |                  |
| RFB-1722       | 20  | FEMALE TWIST-ON                 | D       | FOR RG-59/U  |                            | N       | S   | D   |                  |
| RFB-1724       | 21  | FEMALE CRIMP                    | D       | FOR RG-59/U  |                            | N       | G   | D   | RFA-4009-203     |
| RFB-1724-D3    | 21  | FEMALE CRIMP                    | D3      | FOR RG-59/U PLENUM   |                            | N       | G   | D   | RFA-4009-203     |
| RFB-1724-K     | 21  | FEMALE CRIMP                    | K       | FOR COMMSCOPE 735  |                            | N       | G   | T   | RFA-4005-307     |
| RFB-1724-Q     | 21  | FEMALE CRIMP                    | Q       | FOR RG-6/U   |                            | N       | G   | T   | RFA-4005-308     |
| RFB-1724-S     | 21  | FEMALE CRIMP                    | S       | FOR RG-179/U   | AMPHENOL 31-71014-RFX      | N       | G   | T   | RFA-4009-204     |
| RFB-1724-S1    | 21  | FEMALE CRIMP                    | S1      | FOR RD-179/U   |                            | N       | G   | T   | RFA-4009-204     |
| RFB-1730       | 22  | T ADAPTER                       |         | BNC MALE TO DOUBLE BNC FEMALE                                  | AMPHENOL 31-70036          | N       | G   | T   |                  |



FIG. 23  
RFB-1730-3, -4



FIG. 24  
RFB-1732



FIG. 25  
RFB-1733



FIG. 26  
RFB-1734, -2



FIG. 27  
RFB-1735, -I



FIG. 28  
RFB-1745



FIG. 29  
RFB-1750



FIG. 30  
RFB-1760

PHOTOS FOR REFERENCE ONLY, SHOWN AT 100% ACTUAL SIZE.

FOR MOUNTING CONFIGURATIONS REFER TO PAGES 149-164

| PART #     | FIG | DESCRIPTION             | CBL GRP | NOTES   | REPLACES OR EQUIVALENT TO | PLATING |     |     | RECOMMENDED TOOL |
|------------|-----|-------------------------|---------|---|---------------------------|---------|-----|-----|------------------|
|            |     |                         |         |   |                           | BDY     | P/C | DIE |                  |
| RFB-1730-3 | 23  | F ADAPTER               |         | BNC MALE TO DOUBLE BNC FEMALE   |                           | N       | G   | D   |                  |
| RFB-1730-4 | 23  | F ADAPTER               |         | BNC MALE TO DOUBLE BNC FEMALE W/ INTERNAL 75 OHM RESISTORS (VIDEO SPLITTER) |                           | N       | G   | D   |                  |
| RFB-1732   | 24  | RIGHT ANGLE ADAPTER     |         | BNC MALE TO BNC FEMALE  | AMPHENOL 31-9-75          | N       | G   | T   |                  |
| RFB-1733   | 25  | BARREL ADAPTER          |         | BNC MALE TO BNC MALE  | AMPHENOL 31-218-75        | N       | G   | T   |                  |
| RFB-1734   | 26  | BARREL ADAPTER          |         | BNC FEMALE TO BNC FEMALE  | AMPHENOL 31-219-75        | N       | G   | T   |                  |
| RFB-1734-2 | 26  | BARREL ADAPTER          |         | BNC FEMALE TO BNC FEMALE  |                           | S       | G   | T   |                  |
| RFB-1735   | 27  | FEMALE BULKHEAD ADAPTER |         | DOUBLE BNC FEMALE WITH D-FLAT & O-RING                                      | AMPHENOL 31-70020         | N       | G   | T   |                  |
| RFB-1735-I | 27  | FEMALE BULKHEAD ADAPTER |         | DOUBLE BNC FEMALE WITH D-FLAT, ISOLATED                                     | AMPHENOL 31-4803-75       | N       | G   | T   |                  |
| RFB-1745   | 28  | STRAIGHT ADAPTER        |         | BNC FEMALE TO 1/4X24 STUD, FOR KENWOOD TK240, TK340                         | MIDLAND 70-1034           | N       | S   | T   |                  |
| RFB-1750   | 29  | MALE TERMINATION        |         | 75 OHM 1/2 WATT   |                           | N       | G   | D   |                  |
| RFB-1760   | 30  | FEMALE CRIMP            | D       | WALLPLATE FLUSH MOUNT FOR RG-59/U   |                           | N       | G   | D   | RFA-4009-203     |

## TOOLS FOR COMPRESSION CONNECTORS

### 2-Blade Coaxial Stripper

for compression connectors only



RFA-4004-30

### Compression Crimp Handle, 3-in-One Tool

for compression connectors only



RFA-4004-20