

PATCH JACK to BNC ADAPTERS

Kings high performance Patch Jack to BNC Adapters are ideal for use from Analog through HDTV formats. These Video Jacks mate with standard size (.37" diameter) patch plugs with WE .090" center pins. The Video Jacks provide a feed-through and/or terminated signal path between the BNC input/output connector and the Patch Jack. (See schematics on page 15).

Available unterminated as part number 7520-9 and terminated as part number 7520-10.

FEATURES

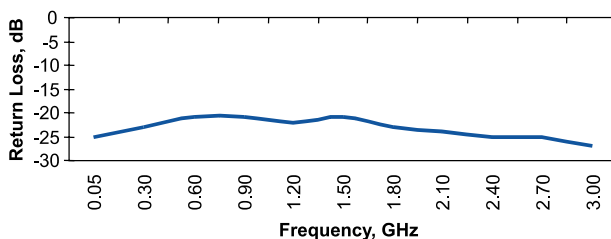
- Guaranteed 30,000 matings minimum.
- Die Cast Body
- 1 piece center contact with a Zytel insert molded insulator resulting in dramatically improved concentricity and center conductor stability.
- Mounting configuration allows direct replacement of standard rear mounted video jacks.
- True 75 ohm impedance.



P/N 7520-9 Adapter, Patch Jack to BNC, Non-Terminated
P/N 7520-10 Adapter, Patch Jack to BNC, Terminated

RETURN LOSS P/N 7520-9, 7520-10

7520-9 & 7520-10 Return Loss
 Normal / Through Mode



SPECIFICATIONS

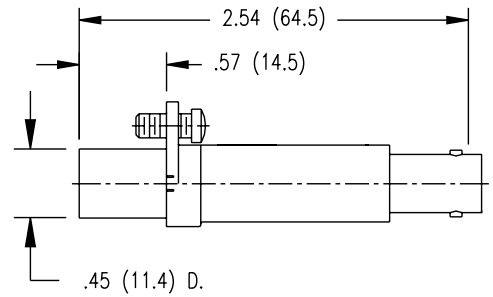
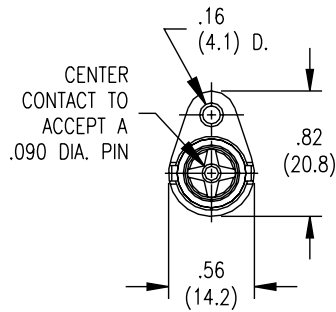
- Material:** Housing: Zinc alloy
 Springs: Beryllium copper
 Contacts: Beryllium copper
 Connector insulation: Zytel
 Cam Insulator: Delrin
- Finish:** Housing: Nickel
 Center Contacts: Gold Plate
 Ground Contacts: Gold Plate
- Mechanical:** Life: 30,000 mating min.
 Withdrawal force: 3.0 Lbs. min.
- Environmental:**
 Humidity: MIL-STD-202 Method 106 (90-98% R.H. 10 Days)
 Corrosion: MIL-STD-202 Method 101 (5% Salt Fog 48 Hrs.)
 Temperature: -40°C to +85°C
- Electrical:** See Return Loss Graphs
 Termination: 75 Ohms

Standard / HDTV

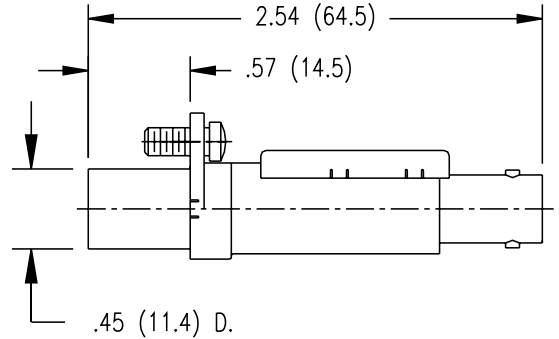
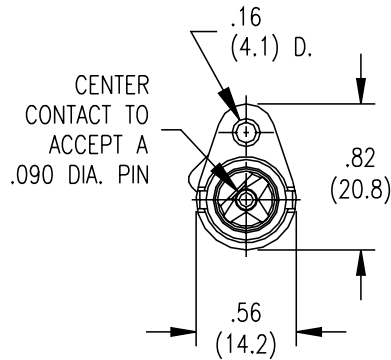
Patch Jack Adapters - 7520 Series

DIMENSION DRAWING

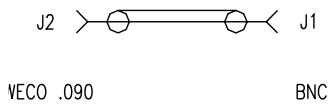
P/N 7520-9
Adapter, Patch Jack
to BNC, unterminated



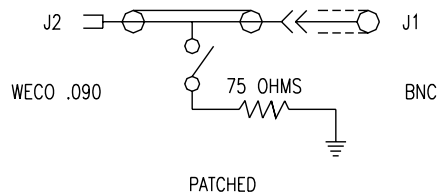
P/N 7520-10
Adapter, Patch Jack
to BNC, terminated



SCHEMATICS



P/N 7520-9



P/N 7520-10

