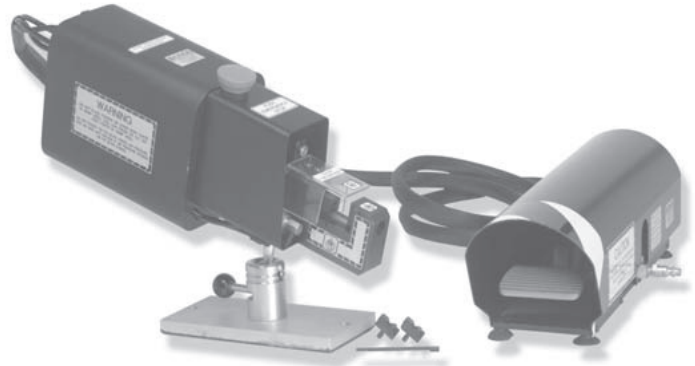


CRIMP TOOLS

Machine Crimp Tool

Hand Crimp Tool

Broadcast



**Pneumatic Crimping Machine
KTM-4000**

**AUTOMATIC AND MANUAL
TOOLS TO FIT YOUR NEEDS
SOLID RELIABILITY
POINT-TO-POINT SOLUTIONS**

SPECIFICATIONS

Air Supply	80-120 psi with filter
Crimping Cycle	Approx. 4 Seconds
Maximum Opening Between Dies	11/16 inch
Input Coupling	Quick Disconnect, female, 1/4 NPT
Overall Dimensions	11" X 15" X 6"
Weight	28 Lbs.

- Automatic power crimping at low cost
- High Crimping forces achieved thru an air cylinder toggle mechanism. (in excess of 30,000 pounds)
- Force Elements are completely enclosed
- Ideal for long or short product runs
- Dies for holepunching, notching, forming. Stamp can be adapted.
- Foot control to free operators hands for crimping operation.
- Fast and easy changing from one crimping die to another.
- Machine Returns to open position automatically
- Contact and Connector stops for uniform crimping
- Portable, bench mounted, no permanent lines attached
- Low Maintenance
- Designed with OSHA saefty requirments in mind.



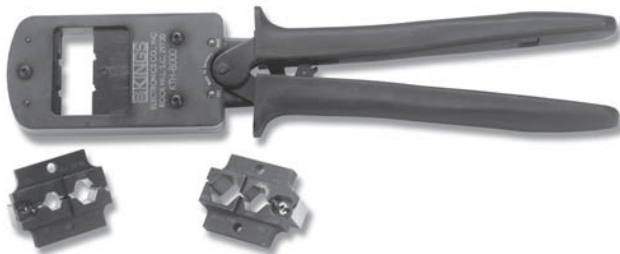
CRIMP TOOLS

Hand Crimp Tool



KTH-1000

- Interchangeable Dies, utilize KTH-2000 series die sets.
- Die Sets not included but are purchased separately.
- Ratchet type tool.
- Does not release until crimp is complete.
- Frame made of heavy duty lightweight aluminum.
- Ratchet release feature tool type.



KTH-8000
Lo-Pro Hand Crimping Tool

- Linear motion crimping tool accommodating three hex dies.
- Ratchet release feature type tool.
- Optimized guide system for perfect positioning.
- Frame made of heavy duty light weight metal with soft handles for non-slip grip comfort.



KTW-13
Miniature Audio-Video Jack
Insertion Tool

1685 Overview Drive
Rock Hill, SC 29730
www.kingselectronics.com
Manufactured in the USA

Toll Free
Main
Customer Support
Technical Support

888-909-5551
803-909-5000
803-909-5500
803-909-5086

KINGS
ELECTRONICS CO., INC.

Your Solid, Point-To-Point Connection