

Figure 4

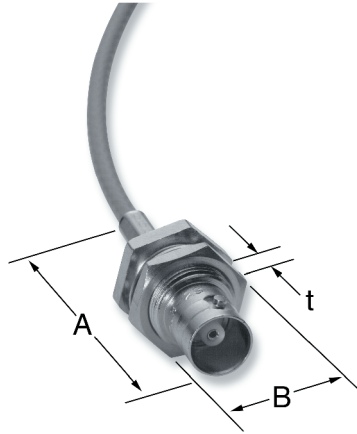


Figure 5

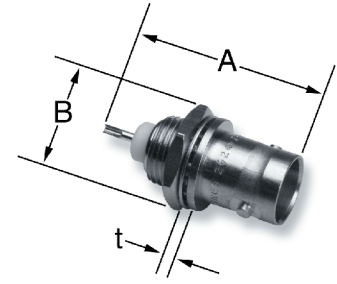
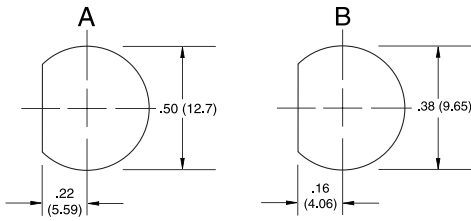


Figure 6



Mounting Holes

## Splices

Fig. No.	KINGS Part Number (True 75 Ohm)	For Cables					Cabling		Dimensions			
		Belden	CommScope	West Penn/CDT	Gepeco	Others	Trim Code	Crimp Die	In	A mm	In	B mm
4	3050-10-9	734D1 735A1	734C1 73501	CBL1235 CBL1288		734 to 735	3-661-5	KTH-2185 KTH-2186	2.40	61.0	.39D	9.9D
4	3050-11-9	735A1	73501	CBL1288		735 to 735	3-661-5	KTH-2185	2.40	61.0	.39D	9.9D
4	3050-12-9	734D1	734C1, 734S1	CBL1235		734 to 734	3-661-5	KTH-2186	2.40	61.0	.39D	9.9D

## Bulkhead Jacks, BNC Rear Mount

Fig. No.	KINGS Part Number (True 75 Ohm)	For Cables					Cabling		Dimensions						Mounting Hole
		Belden	CommScope	West Penn/CDT	Gepeco	Others	Trim Code	Crimp Die	In	A mm	In	B mm	In	T mm	
5	2022-17-29	734D1	734C1 734S1	CBL1235		734	3-661-5	KTH-2186	1.61	40.9	0.69D	17.5	0.24	6.1	A
5	2022-18-29	735A1	73501	CBL1288		735	3-661-5	KTH-2185	1.61	40.9	0.63Hex	16.0	0.24	6.1	A
5	2022-28-9	8281	7501	M52210	VP618PE	WE724	CP-465	KTH-2010	1.40	35.6	0.69Hex	17.5	0.24	6.1	A
5	2022-29-9	1694A 1695A	5715 5765 2279 V	M56523 M56524	VSD2001		CP-465	KTH-2010	1.40	35.6	0.69Hex	17.5	0.24	6.1	A

## Bulkhead Receptacle, BNC Front Mount

Fig. No.	KINGS Part Number (True 75 Ohm)	For Cables					Cabling		Dimensions						Mounting Hole
		Belden	CommScope	West Penn/CDT	Gepeco	Others	Trim Code	Crimp Die	In	A mm	In	B mm	In	T mm	
6	2024-7-9						—	Solder	1.06	26.9	0.5 Hex	12.7	0.134	3.4	B

Reference Chart on page 47 for Die Set Dimensions.