

# TRUE 75 Ohm BNC Connectors

## Angle Plugs

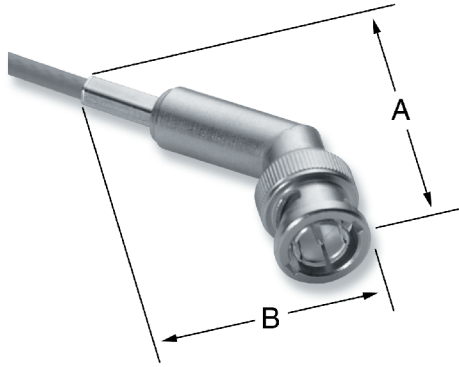


Figure 2

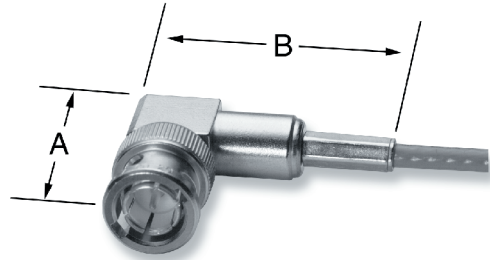


Figure 3

### 45° (Angle) Plugs

| Fig. No. | KINGS Part Number (True 75 Ohm) | For Cables |              |               |       |        | Cabling   |           | Dimensions |      |      |      |
|----------|---------------------------------|------------|--------------|---------------|-------|--------|-----------|-----------|------------|------|------|------|
|          |                                 | Belden     | CommScope    | West Penn/CDT | Gepco | Others | Trim Code | Crimp Die | A          |      | B    |      |
|          |                                 |            |              |               |       |        |           |           | In         | mm   | In   | mm   |
| 2        | 2026-35-9                       | 734D1      | 734C1, 734S1 | CBL1235       |       | 734    | 3-661-5   | KTH-2186  | 1.92       | 48.8 | 1.37 | 34.8 |
| 2        | 2026-36-9                       | 735A1      | 73501        | CBL1288       |       | 735    | 3-661-5   | KTH-2185  | 1.92       | 48.8 | 1.37 | 34.8 |

### 90° (Right Angle) Plugs

| Fig. No. | KINGS Part Number (True 75 Ohm) | For Cables |              |               |         |        | Cabling   |           | Dimensions |      |      |      |
|----------|---------------------------------|------------|--------------|---------------|---------|--------|-----------|-----------|------------|------|------|------|
|          |                                 | Belden     | CommScope    | West Penn/CDT | Gepco   | Others | Trim Code | Crimp Die | A          |      | B    |      |
|          |                                 |            |              |               |         |        |           |           | In         | mm   | In   | mm   |
| 3        | 2026-16-9                       | 734D1      | 734C1, 734S1 | CBL1235       |         | 734    | 3-661-5   | KTH-2186  | 1.03       | 26.2 | 1.33 | 33.8 |
| 3        | 2026-17-9                       | 735A1      | 73501        | CBL1288       |         | 735    | 3-661-5   | KTH-2185  | 1.03       | 26.2 | 1.33 | 33.8 |
| 3        | 2026-33-9                       | 1694A      | 5765         | M56523        | VSD2001 |        | 3-661-5   | KTH-2255  | 1.03       | 26.2 | 1.48 | 37.6 |
| 3        | 2026-34-9                       | 8281       | 7501         | M52210        | VP618PE |        | 3-661-5   | KTH-2119  | 1.03       | 26.2 | 1.48 | 37.6 |

Reference Chart on page 47 for Die Set Dimensions.