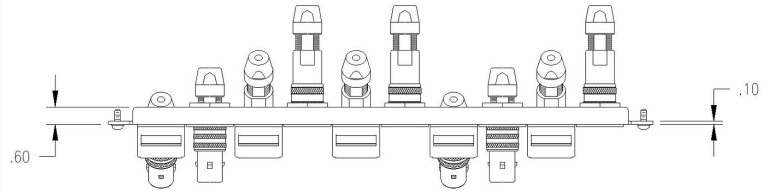


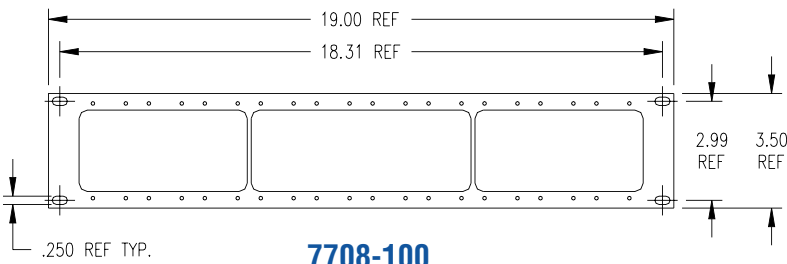
TRI-LOC® Connectors



Panel Mount Bracket Assembly



7708-100 Tri-LOC® PANEL

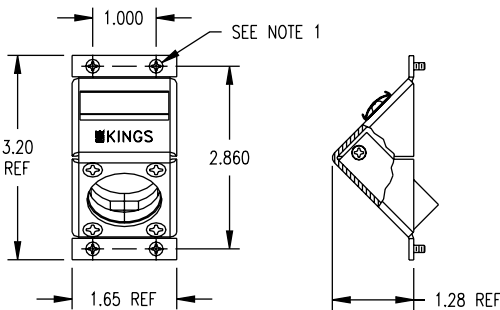


7708-100

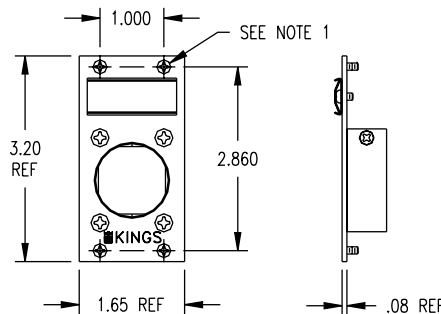
FEATURES and BENEFITS

- Isolated Ground Mounting
- Allows Standard, Fibre-Cam or Lo-Pro TRI-LOC® plugs or jacks to be mounted at either 45° or 90°
- Fits in a standard 19" rack
- Solid steel panel with black finish
- Allows mounting of up to 10 TRI-LOC®s across
- Durable and Versatile

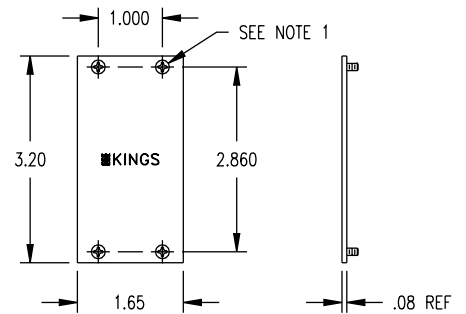
KINGS Part Number	Description
7708-100	TRI-LOC Panel
7708-101	Blank Panel
7708-045-1	45° TRI-LOC® Jack Panel Mount Bracket Assembly
7708-045-2	45° TRI-LOC® Plug Panel Mount Bracket Assembly
7708-045-3	45° LO-PRO TRI-LOC® Plug Panel Mount Bracket Assembly
7708-090-1	90° TRI-LOC® Jack Panel Mount Bracket Assembly
7708-090-2	90° TRI-LOC® Plug Panel Mount Bracket Assembly
7708-090-3	90° LO-PRO TRI-LOC® Plug Panel Mount Bracket Assembly



7708-045-1
7708-045-2
7708-045-3



7708-090-1
7708-090-2
7708-090-3



7708-101

Note 1: Supplied mounting screws are #4-40 x .250 long, counter sunk 82 degrees.