



7763-1-9 and 7765-1-9 Fibre-Cam Tri-Loc[®] Connectors

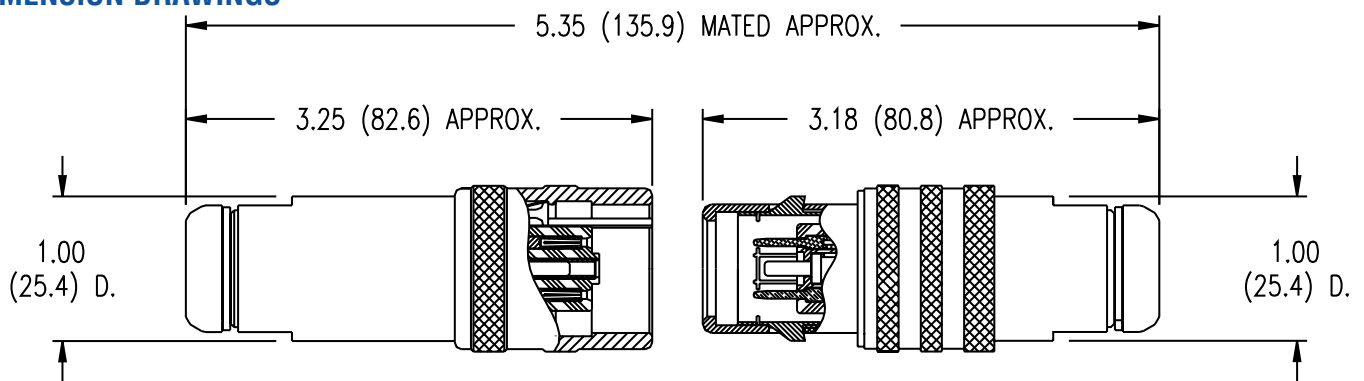
FEATURES

- Direct Crimp on outer cable braid and internal strength member
- Field serviceable fiber optic terminations
- Keyed connectors
- Design based upon Kings Electronics proven Tri-Loc Connector
- Meets or exceeds the electrical and optical performance requirements of SMPTE 304M

BENEFITS

- Reduces assembly time and guarantees reliable strain relief
- Connectors/Cable assemblies can be modified or repaired in the field
- Assures a reliable mated connection and prevents mismatching of contacts
- Assures reliable performance over the lifetime of the product

DIMENSION DRAWINGS



P/N 7763-1-9
Female Connector, Cable Mount

P/N 7765-1-9
Male Connector, Cable Mount

SPECIFICATIONS

The connectors shall meet the following minimum requirements:

Optical

Wave Length: 1100 nm to 1350 nm
 Insertion Loss: <0.5 dB
 Return Loss: <-45 dB machine polish
 <-30 dB hand polish

Electrical

Auxiliary Electrical Contacts:
 Voltage: 600 Volts AC
 Current: 10 Amps
 Low-voltage Contacts:
 Voltage: 42 Volts AC or
 60 Volts DC
 Current: 1 Amp

Mechanical

Cable Retention: 160 lb. Min.

Environmental

Temperature: -20°C to +70°C operating
 -40°C to +85°C non-operating/storage
 Humidity: Less than 95% RH (at +40°C)

Fiber Components

125 μm fiber optic ferrule (2 per connector)
 Ceramic alignment sleeve (2 per female connector)

Materials

Spring Members and Female Contacts: Beryllium Copper
 Gaskets and Seals: Silicone Rubber
 Insulators: Polyphenylene Oxide and Acetal
 Connector bodies and Male contacts: Brass

Finishes

Bodies and Spring Members: Nickel
 Contacts: Gold
 Crimp Sleeves: Ductile Nickel

Fibre-Cam Cable Guide

Part Number	Description	FOR CABLES			Retro Fit Kit	Polishing Kit	Crimp Die	Crimp Tool	Cable Procedure
		Belden	West Penn/CDT	Gepco					
7761-1-9	Panel Jack,								
7763-1-9	Jack, Cable Mount	7804B	M96040	HDC920, HDC920R	7708-62	7768-100	KTH-2035	KTH-1000	3-691
7764-1-9	Bulkhead Plug								
7765-1-9	Cable Mount	7084B	M96040	HDC920, HDC920R	7708-61	7768-100	KTH-2035	KTH-1000	3-691