

# Amphenol

XLrnet CABLE CONNECTORS

METAL SHELL TYPE



## XLRnet SERIES

**Features/Benefits:**

- XLR RJ45 Cable plug housing.
- Designed for pre-assembled RJ45 cables.
- Quick and simple installation.
- Cost effective method for harsh environments.
- No cabling in field required.
- No tools required for installation.
- Available in Nickel or Black housings.
- Coloured boots / Backshells

Specifications: Page 83

Part Number Breakdown : Page 83

Assembly Instructions: Page 84

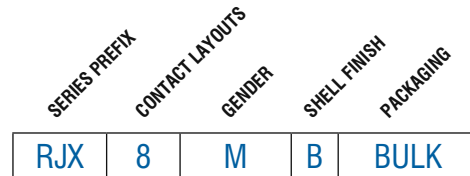
**NOTE\***RJ45 preassembled cable sold separately and is not included with the XLRnet connector.

| PRODUCT - FIGURE | DRAWING  | DESCRIPTION  | VARIATIONS                       | PART NUMBER                      |
|------------------|--|--|----------------------------------|----------------------------------|
|                  | <p style="text-align: center;">Dimensions in mm (inches)</p> | XLrnet, XLR cable plug housing to suit preassembled RJ45 cables, Nickel Finish | <p>Standard</p> <p>Bulk Pack</p> | <p>RJX8M</p> <p>RJX8M BULK</p>   |
|                  |  | XLrnet, XLR cable plug housing to suit preassembled RJ45 cables, Black Finish  | <p>Standard</p> <p>Bulk Pack</p> | <p>RJX8MB</p> <p>RJX8MB BULK</p> |



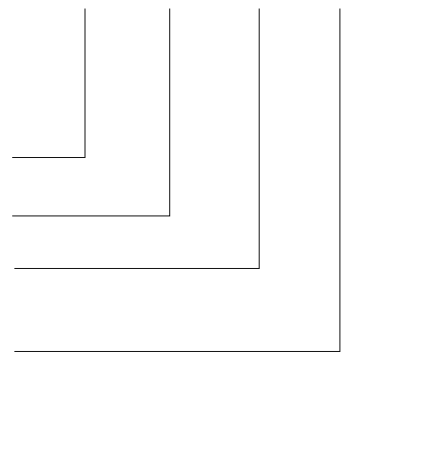
## PART NUMBER BREAKDOWN

### XLRnet SERIES



E. G. **RJX8MB BULK**  
**RJX** (Series Prefix), **8** contacts, **M** (Cable Connector), **B** (Black Finish),  
**Bulk** Packaged

|                       |       |   |                      |
|-----------------------|-------|---|----------------------|
| <b>SERIES PREFIX</b>  | RJX   | = | Series Prefix        |
| <b>CONTACT LAYOUT</b> | 8     | = | RJ45 Cable Housing   |
| <b>GENDER</b>         | M     | = | Male Cable Plug      |
| <b>SHELL FINISH</b>   | Blank | = | Nickel Plated Finish |
|                       | B     | = | Metal - Black Finish |
| <b>PACKAGING</b>      | Blank | = | Individual Bags      |
|                       | BULK  | = | Bulk Packed          |

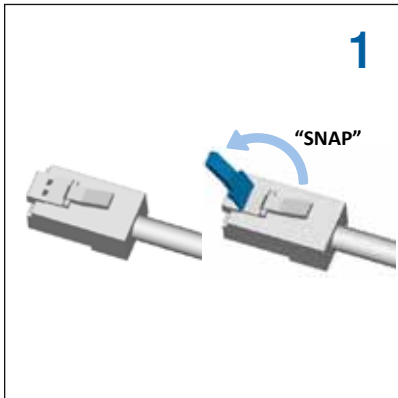


## STANDARD DATA XLRnet SERIES

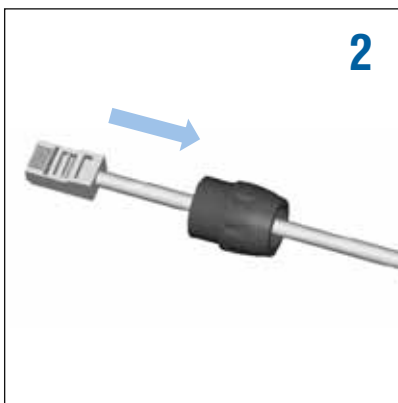
|                                   |   | VALUE                                       |
|-----------------------------------|---|---|
| <b>GENERAL CHARACTERISTICS</b>    | Termination                             | Preassembled RJ45 Cable (Not supplied)      |
|                                   | Environmental                           | Complies with RoHS Directive 2002/95/EC     |
| <b>CLIMATIC CHARACTERISTICS</b>   | Protection Class                        | IP40  |
|                                   | Operating Temperature                   | -25°C to +75°C (-13°F to +167°F)            |
| <b>MECHANICAL CHARACTERISTICS</b> | Insertion and Withdrawal force          | ≥10N - ≤20N                                 |
|                                   | Weight <sup>2)</sup>                    | 26g (0.057lb)                               |
|                                   | Cable O.D. range                        | 5-8mm (0.20" - 0.31")                       |
|                                   | Mechanical Operations                   | 1000 mating cycles                          |
| <b>MATERIALS</b>                  | Connector shell - Metal<br>Shell finish | Diecast Zinc Alloy<br>Satin nickel or Black |
|                                   | Boot / Backshell<br>Finish              | UL94V-0 Noryl N190 / Valox<br>Black         |
|                                   | Cable clamp                             | PA6   |
|                                   | Sleeve                                  | Valox                                       |

<sup>2)</sup> Approximate weight only, does not include packaging. Please contact us for exact weight for shipping purposes.

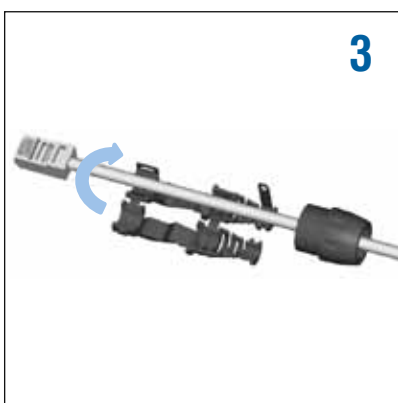
## XLRnet SERIES CABLE ASSEMBLY INSTRUCTIONS



△ Snap or cut off release tab of the RJ45 plug.  
Failure to remove the RJ45's Release Tab will make the XLRnet assembly permanently latching. The XLRnet series has an independent panel side latching system.



Slide the nut (backshell) onto the cable.



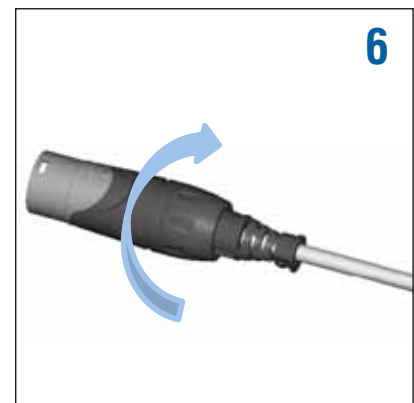
Install the cable clamp-boot.



Close clamp-boot, fasten the two tabs together to lock.



Push clamp-boot & cable together into the shell



Thread the nut (backshell) onto the shell (torque 0.8nM-1.2nM) to close the connector assembly.