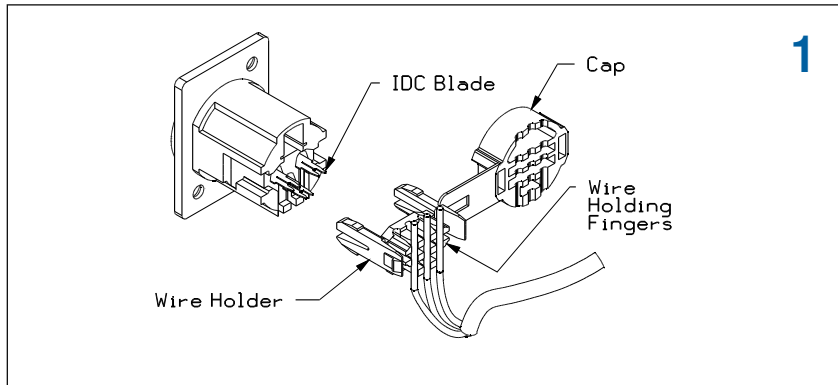


# Amphenol

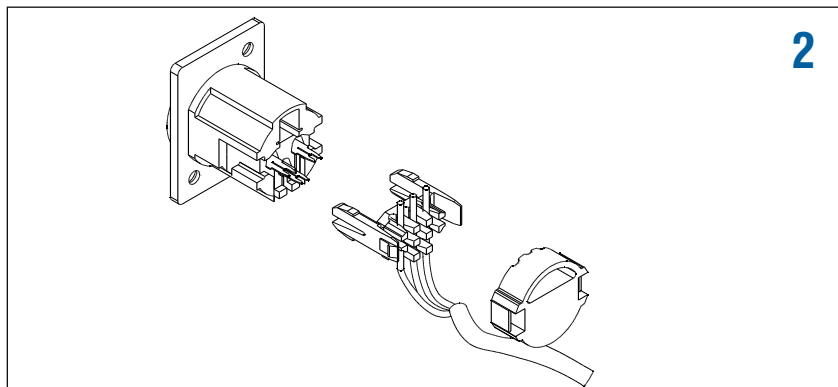
AC SERIES CHASSIS CONNECTORS

## IDC ASSEMBLY INSTRUCTIONS

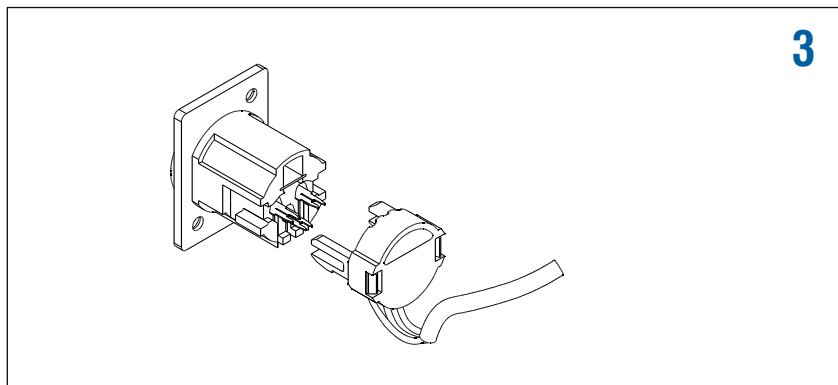
### AC IDC SERIES CHASSIS ASSEMBLY INSTRUCTIONS



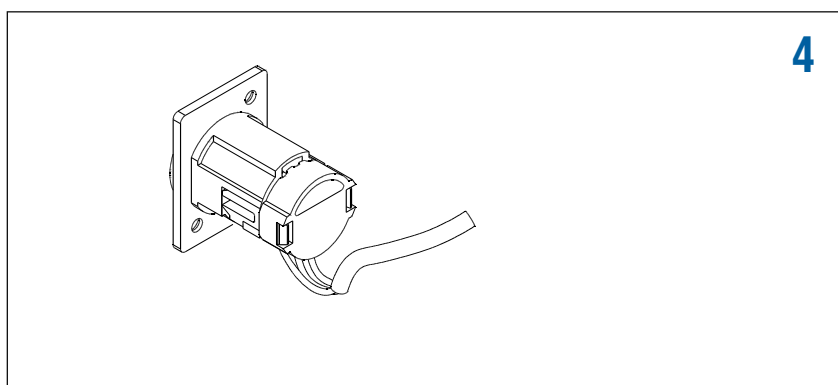
Lay the insulated conductors between the wire holding fingers. The fingers will retain the wire if it is inserted sufficiently.



Break the strap off from the wire holder and the cap. Assemble the cap to the wire holder as shown. Push it home until the second snap operates.



Align the wire holder and cap assembly with the slots down the side of the connector body. Push together, being careful not to damage the IDC blades through misalignment.



Ensure wire holder snaps into the body.

