

# Amphenol

AC SERIES

## ACCESSORIES



### ACCESSORIES

- Colour coded boots(backshells) and rings to assist in cable identification.
- In-line adaptors. Pre-wired for convenience.
- Termination tool for fast assembly of cable connectors.
- Mounting hardware.
- Metal boots(backshells) for rugged environments.





| PRODUCT - FIGURE | DRAWING | DESCRIPTION  | VARIATIONS                                 | PART NUMBER         |
|------------------|---------|--|--|---------------------|
|                  |         | XLR 3 pole male to 3 pole male adapter, Pre wired, Metal Shell     | Nickel Finish<br>Black Finish              | AC3M3MW<br>AC3M3MBW |
|                  |         | XLR 3 pole female to 3 pole female adapter, Pre wired, Metal Shell | Nickel Finish<br>Black Finish              | AC3F3FW<br>AC3F3FBW |
|                  |         | XLR 3 pole female to 3 pole male adapter, Pre wired, Metal Shell   | Nickel Finish<br>Black Finish              | AC3F3MW<br>AC3F3MBW |
|                  |         | XLR 3 pole female to 5 pole male adapter, Pre wired, Metal Shell   | Nickel Finish                              | AC3F5MW             |
|                  |         | XLR 3 pole male to 5 pole female adapter, Pre wired, Metal Shell   | Nickel Finish                              | AC3M5FW             |
|                  |         | XLR 5 pole male to 5 pole male adapter, Pre wired, Metal Shell     | Nickel Finish                              | AC5M5MW             |
|                  |         | Termination Tool   | For IDC and Solder cable connectors        | T2860               |
|                  |         | Termination Tool   | For AC Series Right Angle cable connectors | T2880               |
|                  |         | Termination Tool   | For AX Series cable connectors             | T2890               |
|                  |         | A Type / C Type Connector Mounting, Self-Tapping Screw             | 2.9 x 1.06 Tri-rondular                    | 52500002-734        |
|                  |         | B Type Connector Mounting, Self-Tapping Screw                      | M2.5                                       | 52500005-732        |

ACC.

# Amphenol


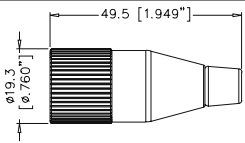

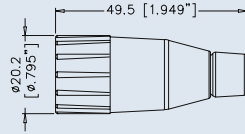
AC SERIES

## ACCESSORIES

| PRODUCT - FIGURE  | DRAWING<br>Dimensions in mm (inches) | DESCRIPTION   | VARIATIONS  | PART NUMBER     |
|---|--------------------------------------|---|---|-----------------|
|    |                                      | AX Series<br>Coloured Boot  | Brown   | AX-BOOT-1       |
|   |                                      |   | Red   | AX-BOOT-2       |
|   |                                      |   | Orange  | AX-BOOT-3       |
|   |                                      |   | Yellow  | AX-BOOT-4       |
|   |                                      |   | Green   | AX-BOOT-5       |
|   |                                      |   | Blue  | AX-BOOT-6       |
|   |                                      |   | Violet  | AX-BOOT-7       |
|   |                                      |   | Grey  | AX-BOOT-8       |
|   |                                      |   | White   | AX-BOOT-9       |
|   |                                      |   | Black   | AX-BOOT         |
| Clear   | AX-BOOT-CLR                          |   |   |                 |
|   |                                      | AC Coloured<br>Boot / Backshell<br><br><b>Note:</b> Number Identification optional. (Please contact us.)  | Brown   | AC-NUT-BRN      |
|   |                                      |   | Red   | AC-NUT-RED      |
|   |                                      |   | Orange  | AC-NUT-ORG      |
|   |                                      |   | Yellow  | AC-NUT-YEL      |
|   |                                      |   | Green   | AC-NUT-GRN      |
|   |                                      |   | Blue  | AC-NUT-BLU      |
|   |                                      |   | Violet  | AC-NUT-VIO      |
|   |                                      |   | Grey  | AC-NUT-GRY      |
|   |                                      |   | White   | AC-NUT-WHT      |
|   |                                      |   |  |                 |
| Red   | AC-GROMMET-RED                       |   |   |                 |
| Orange  | AC-GROMMET-ORG                       |   |   |                 |
| Yellow  | AC-GROMMET-YEL                       |   |   |                 |
| Green   | AC-GROMMET-GRN                       |   |   |                 |
| Blue  | AC-GROMMET-BLU                       |   |   |                 |
| Violet  | AC-GROMMET-VIO                       |   |   |                 |
| Grey  | AC-GROMMET-GRY                       |   |   |                 |
| White   | AC-GROMMET-WHT                       |   |   |                 |
|  |                                      | AC Coloured Identification<br>Rings<br>– Plain and Numbered<br><br><b>Note:</b> Custom number<br>Identification optional.<br>(Please contact us.) | Brown   | AC-RING-BRN     |
|   |                                      |   | Red   | AC-RING-RED     |
|   |                                      |   | Orange  | AC-RING-ORG     |
|   |                                      |   | Yellow  | AC-RING-YEL     |
|   |                                      |   | Green   | AC-RING-GRN     |
|   |                                      |   | Blue  | AC-RING-BLU     |
|   |                                      |   | Violet  | AC-RING-VIO     |
|   |                                      |   | Grey  | AC-RING-GRY     |
|   |                                      |   | White   | AC-RING-WHT     |
|   |                                      |   | Red #1-24   | AC-RING-RED-PK1 |
|   |                                      |   | Yellow #1-24  | AC-RING-YEL-PK1 |
|   |                                      |   | Blue #1-24  | AC-RING-BLU-PK1 |
|   |                                      |   | Red #1-48   | AC-RING-RED-PK2 |
|   |                                      |   | Yellow #1-48  | AC-RING-YEL-PK2 |
| Blue #1-48  | AC-RING-BLU-PK2                      |   |   |                 |

ACC.

133

| PRODUCT - FIGURE  | DRAWING  | DESCRIPTION  | VARIATIONS     | PART NUMBER  |
|---|--|--|----------------|--------------|
|  | <p style="text-align: center;">Dimensions in mm (inches)</p>  | AC Metal Boot / Backshell, Black Finish  | Not Applicable | AC-NUT-METAL |
|  |   | AC Thermoplastic Boot / Backshell. Suitable for use with 8.5mm (0.33") O.D. cable. | Not Applicable | AC-NUT-J-BLK |

ACC.

NOTE: All accessories comply with RoHS Directive 2002/95/EC

NOTE: Please do not refer to this printed catalogue as a colour reference. For exact colours contact your sales representative.